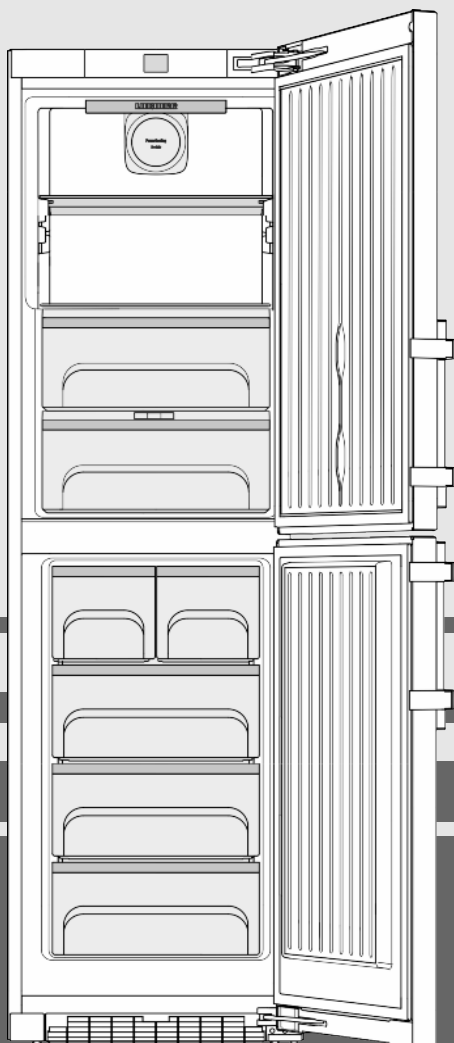


# Operating instructions

BioFresh fridge/freezer

EN



20200115 **7088195 - 00**

**SBNes**

**LIEBHERR**

## Contents

<b>1</b>	<b>Appliance at a glance</b> .....	<b>2</b>
1.1	Overview of the appliance and its equipment.....	2
1.2	Appliance range of use.....	2
1.3	Conformity.....	3
1.4	Product data.....	3
1.5	Installation dimensions.....	3
1.6	Saving energy.....	3
1.7	Example of food arrangement.....	4
1.8	Smart device .....	4
<b>2</b>	<b>General safety information</b> .....	<b>4</b>
<b>3</b>	<b>Controls and displays</b> .....	<b>5</b>
3.1	Home screen.....	5
3.2	Operating structure.....	5
3.3	Navigation.....	6
3.4	Display symbols.....	6
3.5	Appliance options.....	6
<b>4</b>	<b>Putting into operation</b> .....	<b>6</b>
4.1	Transporting the appliance.....	6
4.2	Installing the appliance.....	7
4.3	Reversing the door.....	8
4.4	Water connection.....	16
4.5	Insertion into a row of kitchen units.....	17
4.6	Disposing of packaging.....	18
4.7	Connecting the appliance.....	18
4.8	Switching on the appliance.....	18
4.9	SmartDeviceBox.....	19
4.10	Inserting the FreshAir filter. ....	19
4.11	Setting the clean ventilation grid timer.....	20
<b>5</b>	<b>Control</b> .....	<b>20</b>
5.1	Changing the temperature unit.....	20
5.2	Child proofing.....	20
5.3	Sabbath Mode.....	20
5.4	BioFresh compartment.....	21
5.5	Freezer compartment.....	23
<b>6</b>	<b>Maintenance</b> .....	<b>26</b>
6.1	Change the FreshAir filter.....	26
6.2	Defrosting with NoFrost.....	26
6.3	Cleaning the ventilation grid.....	27
6.4	Cleaning the appliance.....	27
6.5	Cleaning the IceMaker.....	27
6.6	Customer service.....	27
<b>7</b>	<b>Malfunctions</b> .....	<b>28</b>
<b>8</b>	<b>Messages</b> .....	<b>29</b>
<b>9</b>	<b>Decommissioning</b> .....	<b>30</b>
9.1	Switching the appliance off.....	30
9.2	Taking the appliance out of service.....	31
<b>10</b>	<b>Disposing of the appliance</b> .....	<b>31</b>

The manufacturer works constantly on the further development of all the types and models. Therefore please understand that we have to reserve the right to make design, equipment and technical modifications.

To get to know all the benefits of your new appliance, please read the information contained in these instructions carefully.

The instructions apply to several models. Differences may occur. Text relating only to specific appliances is marked with an asterisk (\*).

**Instructions for action are marked with a ►, the results of action are marked with a ▢.**

## 1 Appliance at a glance

### 1.1 Overview of the appliance and its equipment

Exemplary illustration of the appliance model.

#### Note

► Shelves, drawers and baskets are arranged for optimum energy efficiency on delivery.

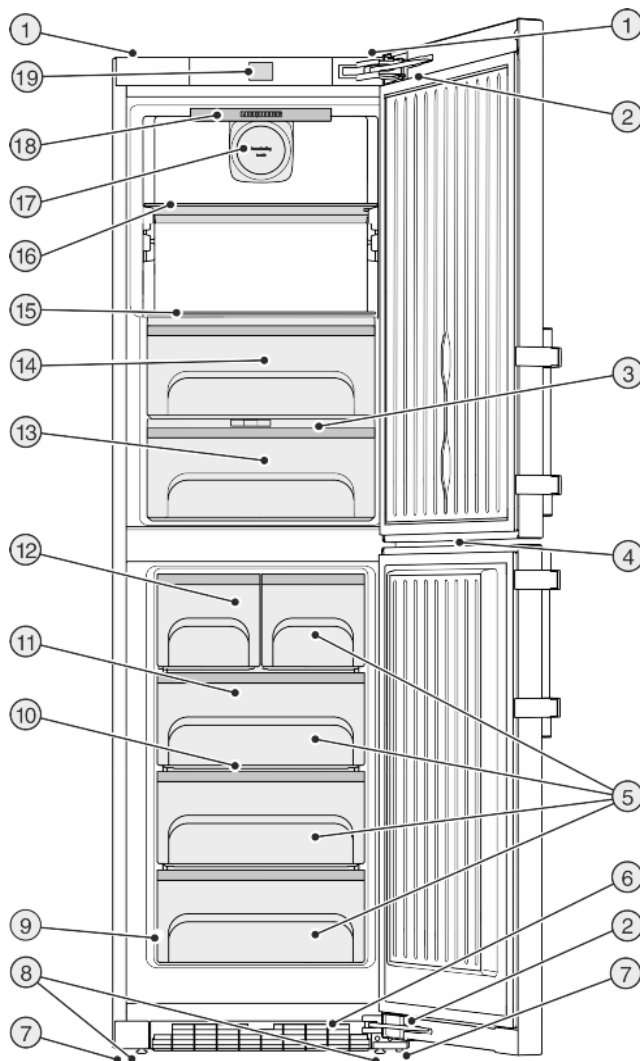


Fig. 1

- |   |  |
|---|--|
| (1) Rear transport handles                          | (11) Freezer pack                          |
| (2) Closing damper                                  | (12) IceMaker                              |
| (3) Fruit & Vegetable safe cover                    | (13) Fruit & Vegetable safe                |
| (4) Freezer compartment LED light                   | (14) DrySafe                               |
| (5) Freezer compartment                             | (15) Shelf                                 |
| (6) Ventilation grid                                | (16) Shelf, can be split                   |
| (7) Adjusting feet                                  | (17) Fan, with holder for fresh air filter |
| (8) Front transport handles, rear transport castors | (18) LED interior lighting                 |
| (9) Rating plate                                    | (19) Operating and control elements        |
| (10) Variospace                                     |  |

### 1.2 Appliance range of use

#### Intended use

The appliance is only suitable for cooling food products in a domestic or household-like environment. This includes, for example, use:

- in staff kitchens, bed and breakfast establishments,
- by guests in country houses, hotels, motels and other accommodation,
- for catering and similar services in the wholesale trade.

All other types of use are not permitted.

### Foreseeable misuse

The following applications are expressly forbidden:

- Storing and refrigerating medicines, blood plasma, laboratory preparations or similar substances and products based on the Medical Device Directive 2007/47/EC
- Use in areas at risk of explosions
- Use on moving substrates, such as ships, rail travel or aeroplanes
- Storing live animals

Misusing the appliance may lead to damage to the goods stored or they may spoil.

### Climate classifications

Depending on the climate classification the appliance is designed to operate in restricted ambient temperatures. The climate classification applying to your appliance is printed on the rating plate.

### Note

- Keep to the specified ambient temperatures in order to guarantee that the appliance works properly.

Climate classification	for ambient temperatures of
SN	10 °C to 32 °C
N	16 °C to 32 °C
ST	16 °C to 38 °C
T	16 °C to 43 °C

## 1.3 Conformity

The refrigerant circuit has been tested for leaks. This appliance complies with the applicable safety stipulations and with directives 2014/35/EU, 2014/30/EU, 2009/125/EG, 2011/65/EU and 2010/30/EU.

The BioFresh compartment satisfies the requirements for a cold storage compartment in acc. with DIN EN 62552.

## 1.4 Product data

Product data is included with the appliance, as per Directive (EU) 2017/1369. The complete product data sheet is available on the Liebherr website under Downloads.

## 1.5 Installation dimensions

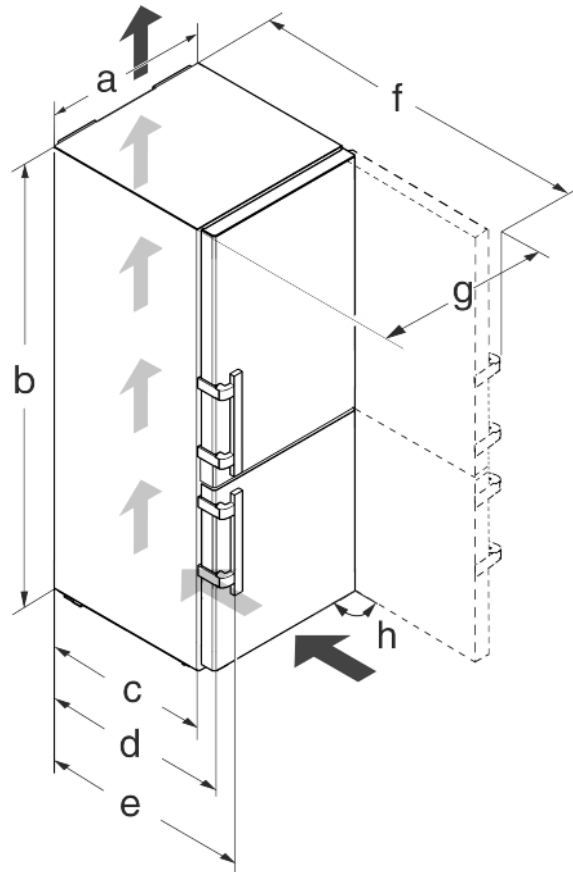


Fig. 2

Model	a [mm]	b [mm]	c [mm]	d [mm]	e [mm]	f [mm]	g [mm]	h [°]
SBNeS 42..	600	1850	600 <sup>x</sup>	665 <sup>x</sup>	709 <sup>x</sup>	1223 <sup>x</sup>	640	90

<sup>x</sup> When using wall spacers, the dimensions increase by 15 mm (see 4.2 Installing the appliance).

## 1.6 Saving energy

- Pay attention to good ventilation. Do not cover ventilation holes or grids.
- Always keep the fan air slits clear.
- Do not install the appliance in direct sunlight, next to an oven, radiator or similar.
- Energy consumption is dependent on the installation conditions, e.g. ambient temperature (see 1.2 Appliance range of use). If the ambient temperature deviates from the standard temperature of 25°C, the energy consumption may differ.
- Open the appliance for as short a time as possible.
- The lower the temperature is set the higher the energy consumption.
- Arrange the food in an organised way (see 1 Appliance at a glance).
- Keep all food properly packed and covered. This prevents frost from forming.
- Only take food out for as long as necessary so that it doesn't warm up too much.
- Inserting warm food: allow to cool down to room temperature first.
- Use the holiday function if you intend to be away for an extended period.

# General safety information

## 1.7 Example of food arrangement

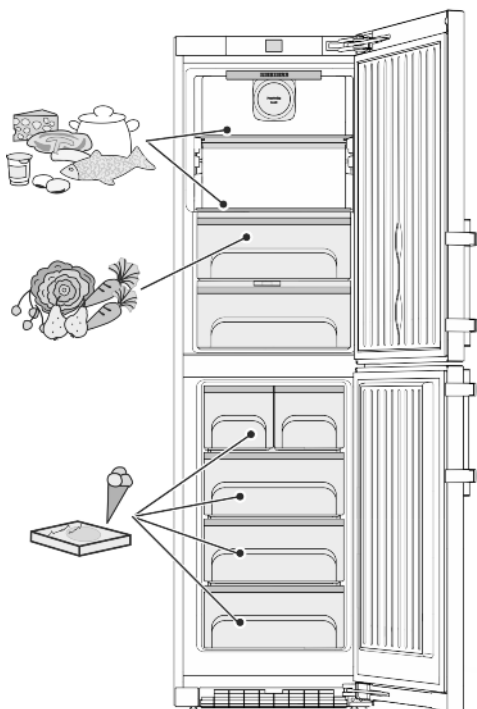
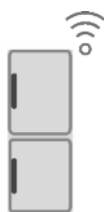


Fig. 3

## 1.8 Smart device

The appliance is ready for integration into a smart home and for extended services. Other options can be enabled via a SmartDevice box. This is activated via the MyLiebherr customer portal.



You will find more information about availability and prerequisites and the individual options on the website, [www.smartdevice.liebherr.com](http://www.smartdevice.liebherr.com).

## 2 General safety information

### Danger for the user:

- This device can be used by children and people with impaired physical, sensory or mental abilities or with a lack of experience and knowledge provided that they are supervised or have received instruction in the safe use of this device, and about the resulting hazards. Children must not play with this appliance. Cleaning and user maintenance work must not be carried out by children without adult supervision. Children aged between 3 and 8 are allowed to load and unload the appliance. Children below the age of 3 must be kept away from the appliance unless they are under continuous adult supervision.
- When disconnecting the appliance from the supply, always take hold of the plug. Do not pull the cable.

- In the event of a fault pull out the mains plug or deactivate the fuse.
- Do not damage the mains power cable. Do not operate the appliance with a defective mains power cable.
- Only customer service or other specially trained staff may repair or perform other operations on the appliance.
- Only assemble, connect and dispose of the appliance according to the instructions.
- Please keep these instructions in a safe place and pass them on to any subsequent owners.
- All repairs to and intervention in the IceMaker may be carried out only by service personnel or by other skilled personnel trained for the purpose.
- The manufacturer is not liable for damage caused by a faulty fixed water connection.
- Special lights, such as LED lights on the appliance, are used to illuminate the interior of the appliance and are not suitable for room lighting.

### Fire hazard:

- The coolant used (information on the model plate) is eco-friendly but also flammable. Any leaking coolant may ignite.
  - Do not damage the refrigerant circuit pipes.
  - Do not use an open flame or other source of ignition inside the appliance.
  - Do not use electrical appliances inside the appliance (e.g. steam cleaners, heaters, ice cream makers, etc.).
  - If the refrigerant leaks: remove any naked flames or ignition sources from the vicinity of the leakage point. Properly air the room. Inform customer services.
- Do not store explosives or sprays using combustible propellants such as butane, propane, pentane, etc. in the appliance. To identify these spray cans, look for the list of contents printed on the can, or a flame symbol. Gases possibly escaping may ignite due to electrical components.
- Keep burning candles, lamps and other items with naked flames away from the appliance so that they do not set the appliance on fire.
- Please be sure to store alcoholic drinks or other packaging containing alcohol in tightly closed containers. Any alcohol that leaks out may be ignited by electrical components.

### Danger of tipping and falling:

- Do not misuse the plinth, drawers, doors etc. as a step or for support. This applies particularly to children.

- Danger of tipping if the door is open if the appliance has not yet been installed properly.

## Danger of food poisoning:

- Do not consume food which has been stored too long.

## Danger of frostbite, numbness and pain:

- Avoid lasting skin contact with cold surfaces or refrigerated/frozen food or take protective steps, e.g. wear gloves. Do not consume ice cream, water ice or ice cubes immediately and do not consume them too cold.

## Danger of injury and damage:

- Hot steam can lead to injury. Do not use electrical heating or steam cleaning equipment, open flames or defrosting sprays to defrost.
- Do not use sharp implements to remove the ice.

## Danger of crushing:

- Do not hold the hinge when opening and closing the door. Fingers may get caught.

## Symbols on the appliance:

	The symbol can be located on the compressor. It refers to the oil in the compressor and indicates the following danger: Swallowing or inhaling can be fatal. This is only relevant for recycling. There is no danger in normal operation.
	This symbol is found on the compressor and indicates the danger of flammable materials.
	A sticker to this effect may be applied to the rear of the appliance. It refers to the foam-padded panels in the door and/or the housing. This is only relevant for recycling. Do not remove the sticker.

## Please observe the specific information in the other sections:

	DANGER	identifies a situation involving direct danger which, if not obviated, may result in death or severe bodily injury.
	WARNING	identifies a dangerous situation which, if not obviated, may result in death or severe bodily injury.
	CAUTION	identifies a dangerous situation which, if not obviated, may result in minor or medium bodily injury.
	NOTICE	identifies a dangerous situation which, if not obviated, may result in damage to property.
	Note	identifies useful information and tips.

## 3 Controls and displays

### 3.1 Home screen

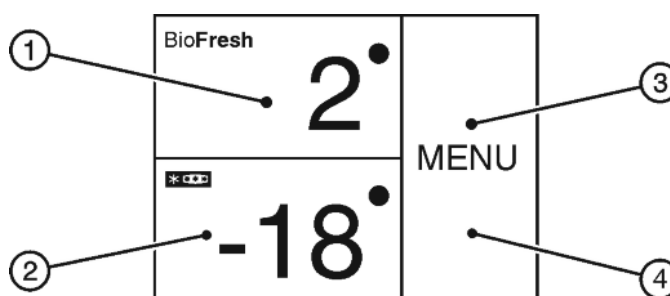


Fig. 4

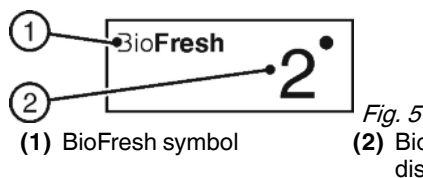
- (1) BioFresh field
- (2) Freezer field
- (3) Menu field
- (4) Screen

The home screen is the first screen the user sees. All settings can be made from there.

All functions can be called up by touching the screen and values can be changed.

### 3.2 Operating structure

#### BioFresh field



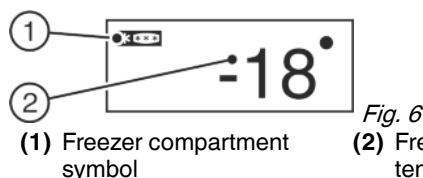
- (1) BioFresh symbol
- (2) BioFresh temperature display

In the BioFresh field, the BioFresh temperature setting is displayed.

The following settings can be entered:

- Temperature settings
- Switch BioFresh section on/off

#### Freezer compartment field



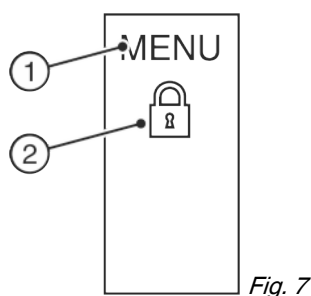
- (1) Freezer compartment symbol
- (2) Freezer compartment temperature display

The freezer compartment temperature is displayed in the freezer compartment field.

The following settings can be entered:

- Temperature settings
- Switch off appliance. Screen remains functional.

#### Menu field



- (1) Main menu
- (2) Option selected

The menu field gives access to the appliance options and settings. Selected options are also displayed.

# Putting into operation

## 3.3 Navigation

Touch the menu to access the individual options. An audible signal sounds after confirming an option or a setting. The display switches to the home screen.

The appliance is operated using the following symbols:



**Standby:**

Switches the appliance or temperature zone on.

MENU

**Menu:**

Calls up options.



**Minus / Plus:**

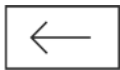
Changing settings (e.g. adjusting temperatures).



**Left/right navigation arrow:**

Selects options and navigates through the menu.

You can scroll through the individual options using the navigation arrows. The first option is displayed again after the last one.



**Back:**

Cancels the selection.

The display switches to the next higher level or to the home screen



**OK:**

Confirms the selection.

After confirmation the display switches to the home screen.



**ON / OFF, START / STOP**

Starts/ stops options.



After selecting or cancelling an option the display switches to the home screen.



**RESET:**

Resets timer.



**Access to customer service**

**Note**

If no selection is made after 1 minute the display switches to the home screen.

## 3.4 Display symbols

Display symbols provide information on the current appliance status:



**Up arrows:**

The temperature increases.



**Down arrows:**

The temperature reduces.



**Standby:**

The appliance or temperature zone is switched off.



**Messages:**

There are active error messages and reminders.

## 3.5 Appliance options

You can select or set the following options; explanations and setting options, (see 5 Control) :

Symbol	Option
	HydroCool <sup>x</sup>
	SuperFrost <sup>x</sup>
	SabbathMode
	IceMaker <sup>x</sup>
	Child safety device <sup>x</sup>
	Holiday function
	Temperature unit

<sup>x</sup> If the option is selected, the relevant symbol is displayed in the menu field.

If more than 6 selected options are selected only 4 options are displayed in the menu field. The other options are displayed by pressing the bottom navigation arrow. Pressing the navigation arrow repeatedly takes you back to the home screen.

The symbol disappears if the option ends or is disabled.

## 4 Putting into operation

### 4.1 Transporting the appliance



**CAUTION**

Risk of injury and danger of damage as a result of incorrect transport!

- ▶ Transport the appliance in a packed condition.
- ▶ Transport the appliance upright.
- ▶ Do not transport the appliance without assistance.

## 4.2 Installing the appliance



### WARNING

Fire hazard due to dampness!

If live parts or the mains lead become damp this may cause short circuits.

- ▶ The appliance is designed for use in enclosed areas. Do not operate the appliance outdoors or in areas where it is exposed to splash water or damp conditions.



### WARNING

Risk of fire due to short circuit!

If the mains cable/connector of the appliance or of another appliance touch the rear of the appliance, the mains cable/connector may be damaged by the appliance vibrations, leading to a short circuit.

- ▶ Stand the appliance so that it is not touched by connectors or main cables.
- ▶ Do not plug the appliance or any others into sockets located near the rear of the appliance.



### WARNING

Fire hazard due to refrigerant!

The coolant used is eco-friendly but also flammable. Any leaking coolant may ignite.

- ▶ Do not damage the piping of the refrigeration circuit.



### WARNING

Fire hazard and danger of damage!

▶ Do not place appliances emitting heat e.g. microwaves, toasters etc. on the appliance!



### WARNING

Blocked ventilation openings pose a risk of fire and damage!

- ▶ Always keep the ventilation openings clear. Always ensure that the appliance is properly ventilated!

If your appliance is not a side-by-side (SBS) appliance:\*

### NOTICE

Risk of damage due to condensate!\*

- ▶ Do not install the appliance directly alongside a further refrigerator/freezer.

### Note

If you have several appliances next to one another, leave a gap of 70mm between appliances. Otherwise condensation will build up between the units.\*

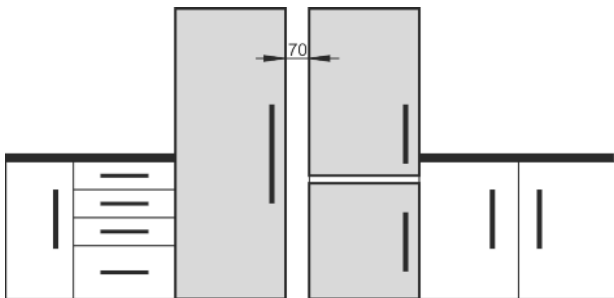


Fig. 8\*

- Before you connect the appliance, report any damage immediately to the delivery company.

- The floor of the installation site must be horizontal and even.
- Do not install the appliance in direct sunlight, next to an oven, radiator or similar.
- Install the appliance with the rear panel up against the wall and always use the supplied wall spacers (see below).
- Only ever move the appliance when it is empty.
- The surface supporting the appliance must be at the same level as the surrounding floor.
- Do not install the appliance on your own.
- The more coolant there is in the appliance, the larger the room in which the appliance is installed must be. If the room is too small, any leak may create a flammable mixture of gas and air. For each 8 g of coolant the installation space must be at least 1 m<sup>3</sup>. Information on the coolant is on the model plate inside the appliance.
- ▶ Remove the protective film from the outside of the appliance.

### NOTICE

Risk of damage from stainless steel care products!

The **stainless steel doors** and **stainless steel side panels** are treated with a premium surface finish.



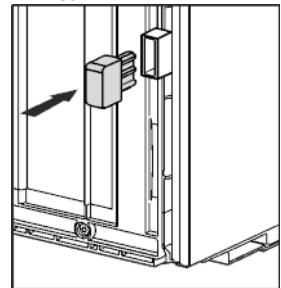
Stainless steel care products attack these surfaces.

- ▶ Only use a soft, clean cloth to wipe down **finished door and side panel surfaces** and **painted door and side panel surfaces**. To remove heavy dirt, use a little water or neutral detergent. Alternatively, you can use a micro-fibre cloth.

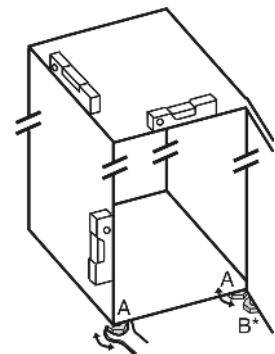
- ▶ Remove the protective film from the decorative trims.
- ▶ Remove all transit supports.

Spacers must be used to achieve the declared energy consumption and to prevent condensation in the event of high surrounding humidity. This increases the appliance depth by about 15 mm. The appliance will work perfectly well without the spacers but will have a slightly higher energy consumption.

- ▶ If your appliance comes with wall spacers, mount these on the back of the appliance, bottom left and right.



- ▶ Dispose of packaging material (see 4.6 Disposing of packaging).
- ▶ Align the appliance so that it stands firmly and on a level by applying the accompanying spanner to the adjustable-height feet (A) and using a spirit level.



- ▶ Then support the door: Use saddle wrench SW10 to unscrew the base on mounting block (B) until it makes contact with the ground, then continue turning it for a further 90°.
- When a Side-by-Side appliance (S...) is fitted together with a second appliance (as a SBS combination):\*
- ▶ Proceed according to the Side-by-Side combined fridge-freezer installation instructions. (Accessories bag of the SBS freezer/appliance with freezer compartment)\*

# Putting into operation

## Note

- ▶ Clean the appliance (see 6.4 Cleaning the appliance) .

If the appliance is installed in a very damp environment, condensate may form on the outside of the appliance.

- ▶ Always see to good ventilation at the installation site.

## 4.3 Reversing the door

If necessary, you can change the way the door opens:

Ensure that the following tools are available:

- Torx® 25 (T25)
- Torx® 15 (T15)
- Slotted screwdriver
- Open-ended wrench SW10
- Spirit level
- Open-ended wrench supplied with the T25 tool
- If necessary, a cordless screwdriver
- Get a stepladder if necessary
- If necessary, a second person for assembly

## NOTICE

Risk of condensation damage for Side-by-Side appliances!\*  
Certain appliances can be set up as Side-by-Side combinations (two appliances next to each other).

If your appliance is a **Side-by-Side (SBS) appliance**:

- ▶ Set up the SBS combination in accordance with the enclosed document.

If the **positioning of the devices is stipulated**:

- ▶ Do not change the door hinges over.

### 4.3.1 Remove the upper soft stop mechanism

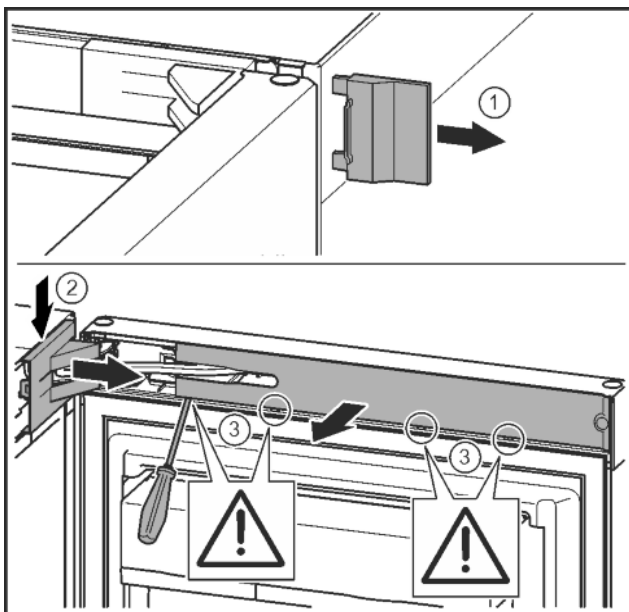


Fig. 9

- ▶ Open the top door.

## NOTICE

Risk of damage!

If the door seal is damaged, the door may fail to close properly and the cooling will be inadequate.

- ▶ Do not damage the door seal with the screwdriver!

- ▶ Remove the outer cover. Fig. 9 (1)
- ▶ Disengage and release the bearing bracket cover. Remove the bearing bracket cover. Fig. 9 (2)
- ▶ Unlatch the panel with a slotted screwdriver and swivel it to one side. Fig. 9 (3)

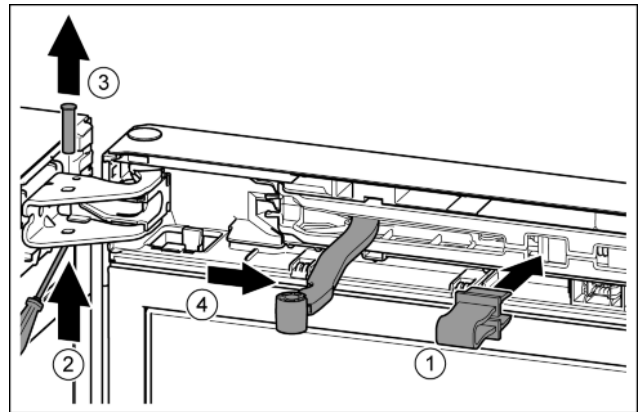


Fig. 10



## CAUTION

Crushing hazard by joint folding up!

- ▶ Engage safety device.

- ▶ Engage the locking device in the opening. Fig. 10 (1)
- ▶ Unscrew the bolt with a screwdriver. Fig. 10 (2)
- ▶ Remove the bolt in an upward direction. Fig. 10 (3)
- ▶ Turn the hinge in the direction of the door. Fig. 10 (4)

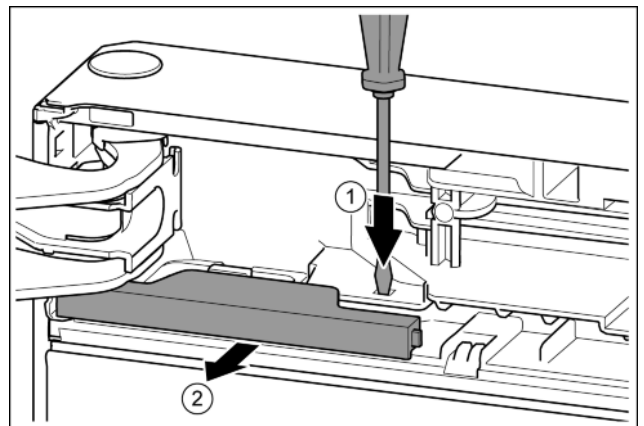


Fig. 11

- ▶ Press the tab with the slotted screwdriver. Fig. 11 (1)
- ▶ Pull cover out of the catch mechanism. Fig. 11 (2)



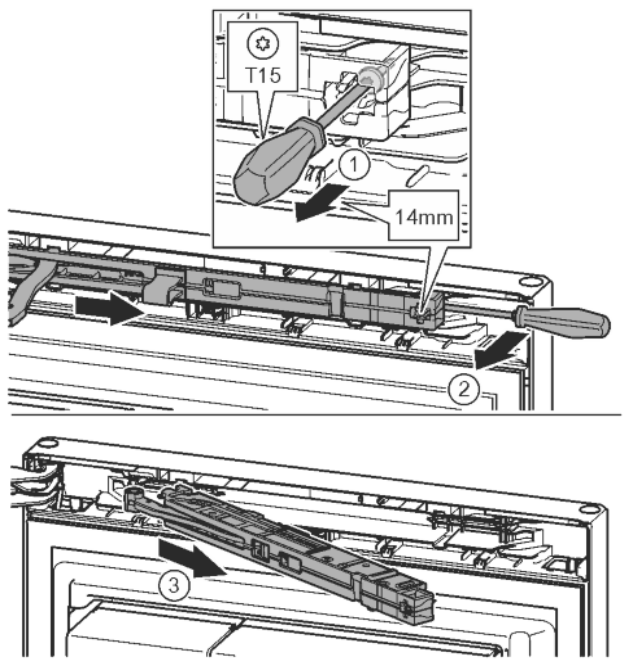


Fig. 12

- ▶ Undo the soft stop mechanism screw with a T15 screwdriver approx. 14 mm. Fig. 12 (1)
- ▶ Insert a screwdriver behind the soft stop mechanism on the handle side and rotate forwards. Fig. 12 (2)
- ▶ Remove the soft stop mechanism. Fig. 12 (3)

### 4.3.2 Remove the bottom soft stop mechanism

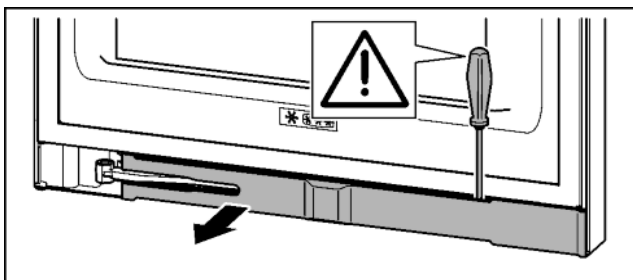


Fig. 13

- ▶ Open the bottom door.

#### NOTICE

Risk of damage!

If the door seal is damaged, the door may fail to close properly and the cooling will be inadequate.

- ▶ Do not damage the door seal with the screwdriver!

- ▶ Unlatch the panel with a slotted screwdriver and swivel it to one side.

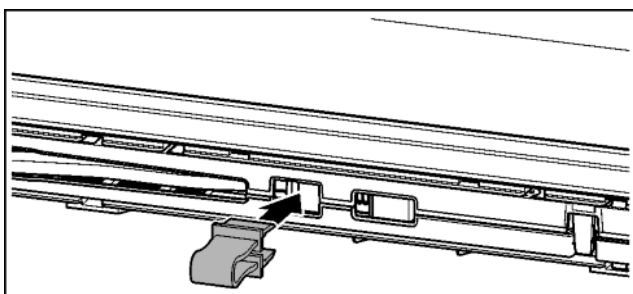


Fig. 14



#### CAUTION

Crushing hazard by joint folding up!

- ▶ Engage safety device.

- ▶ Engage the locking device in the opening.

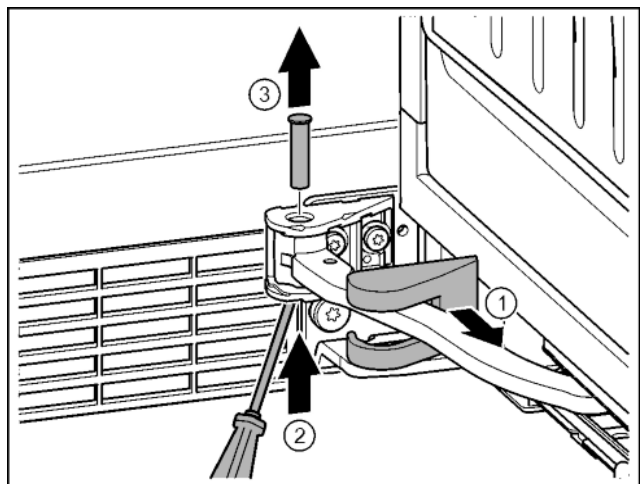


Fig. 15

- ▶ Remove the bearing bracket cover and push it along the hinge. Fig. 15 (1)
- ▶ Lift the bolt with a finger or screwdriver from below. Fig. 15 (2)
- ▶ Insert the screwdriver under the bolt head and remove. Fig. 15 (3)

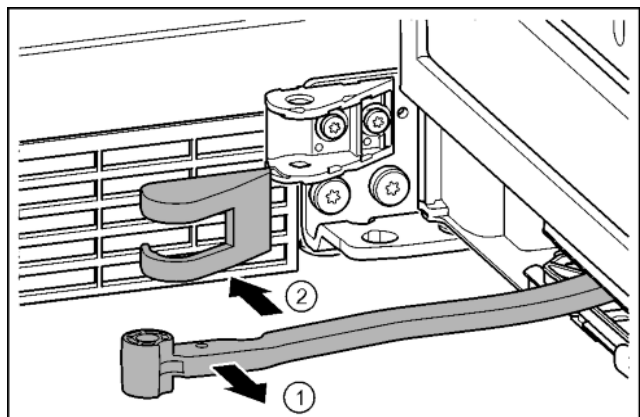


Fig. 16

- ▶ Turn the hinge in the direction of the door. Fig. 16 (1)
- ▶ Remove the bearing bracket cover. Fig. 16 (2)

# Putting into operation

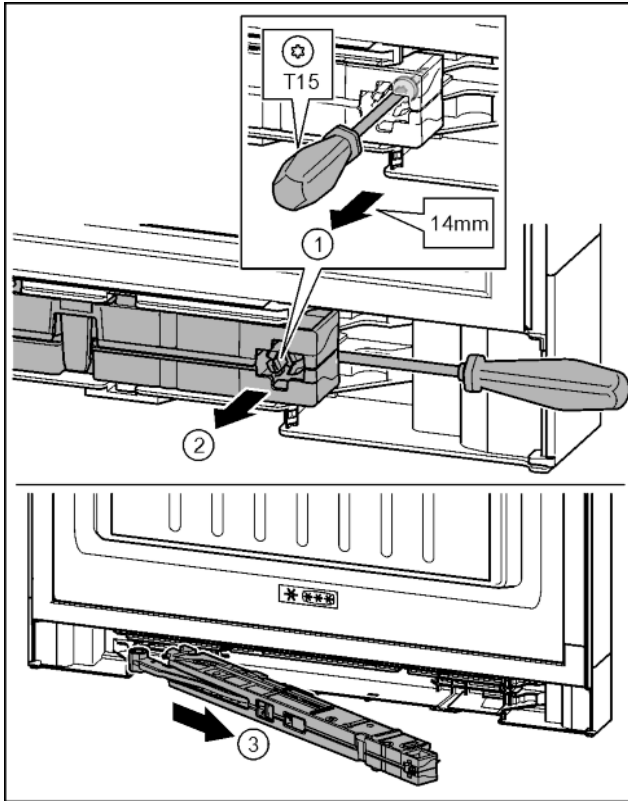


Fig. 17

- ▶ Undo the screw on the soft stop mechanism about 14 mm with a T15 screwdriver. Fig. 17 (1)
- ▶ Insert the screwdriver on the handle side behind the soft stop mechanism. Turn the unit forwards. Fig. 17 (2)
- ▶ Remove the unit. Fig. 17 (3)
- ▶ Set aside the soft stop mechanism.

## 4.3.3 Remove the cable connection

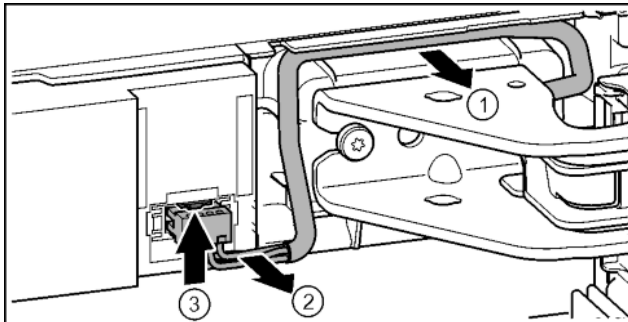


Fig. 18

- ▶ Carefully remove the cable over the bearing bracket from the guide. Fig. 18 (1)
- ▶ Carefully pull the cable strands out of the channel. Fig. 18 (2)
- ▶ Press the tab upwards and carefully remove the plug. Fig. 18 (3)

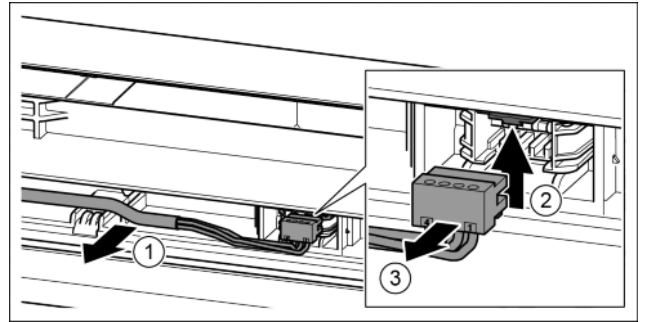


Fig. 19

- ▶ Carefully remove the grey cable from the guide in the door. Fig. 19 (1)
- ▶ Press the tab upwards. Fig. 19 (2)
- ▶ Carefully remove the plug. Fig. 19 (3)

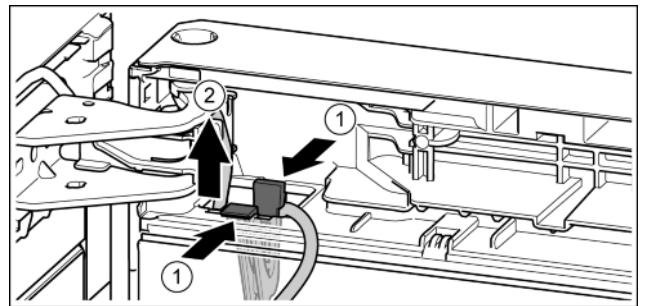


Fig. 20

- ▶ Press the tab. Fig. 20 (1)
- ▶ Remove the cable holder with its cable. Fig. 20 (2)

## 4.3.4 Removing the top door

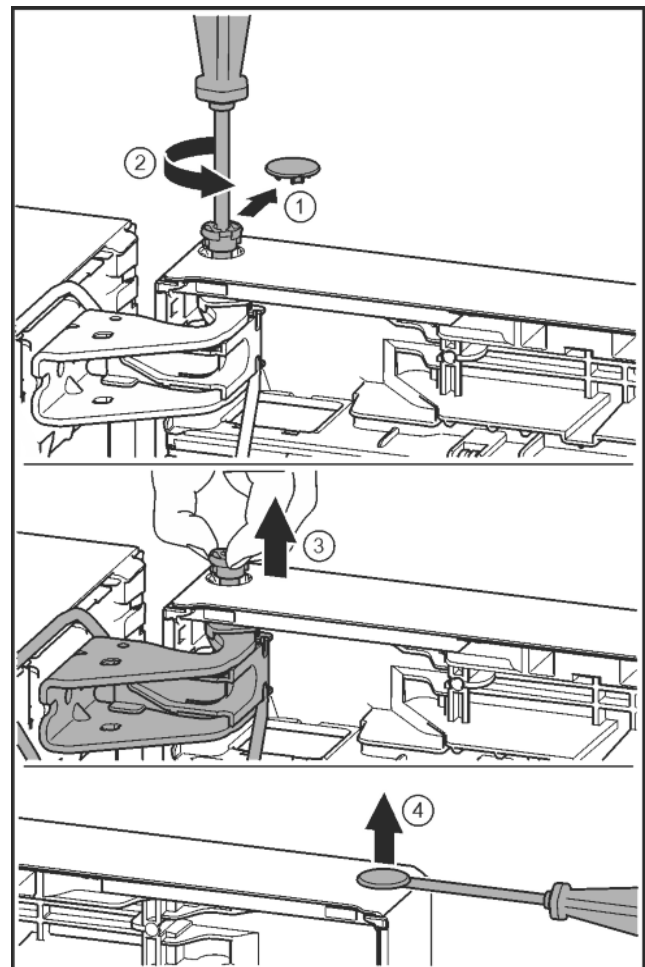


Fig. 21



## CAUTION

Risk of injury if the door tips!

- ▶ Take good hold of the door.
- ▶ Set down the door carefully.

- ▶ Carefully remove the protective cover. *Fig. 21 (1)*
- ▶ Undo the bolt a little with a T15 screwdriver. *Fig. 21 (2)*
- ▶ Hold the door and remove the bolts with your fingers. *Fig. 21 (3)*
- ▶ Lift the door and set it aside.
- ▶ Carefully lift the plugs out of the door bearing bush with a slotted screwdriver and remove. *Fig. 21 (4)*

### 4.3.5 Removing the lower door

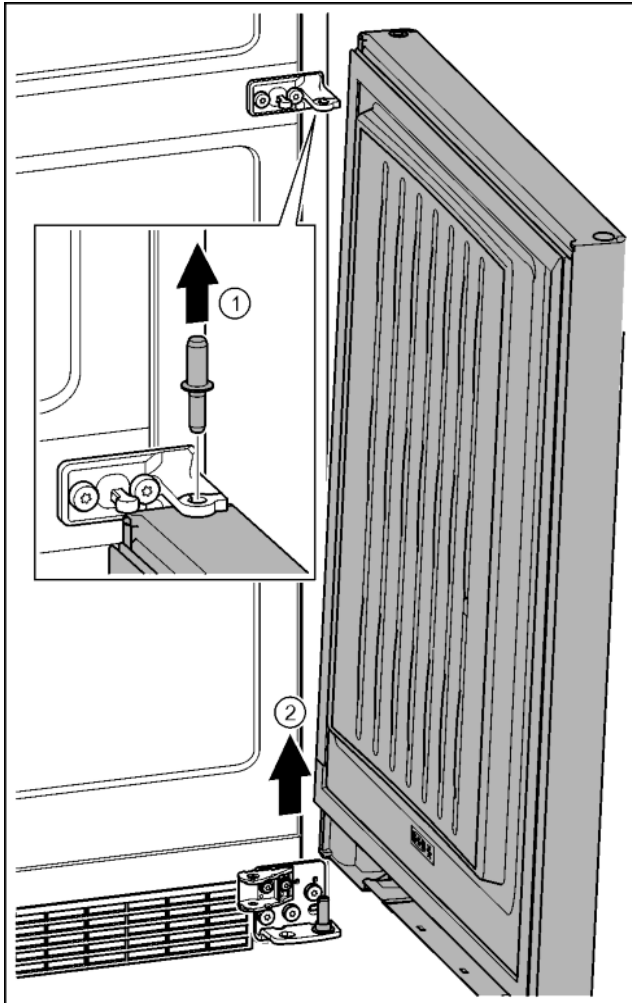


Fig. 22



## CAUTION

Risk of injury if the door tips!

- ▶ Take good hold of the door.
- ▶ Set down the door carefully.

- ▶ Pull out the bolts towards the top. *Fig. 22 (1)*
- ▶ Swing the door out, pull it upwards and set it aside. *Fig. 22 (2)*

### 4.3.6 Moving the upper bearing parts to the other side

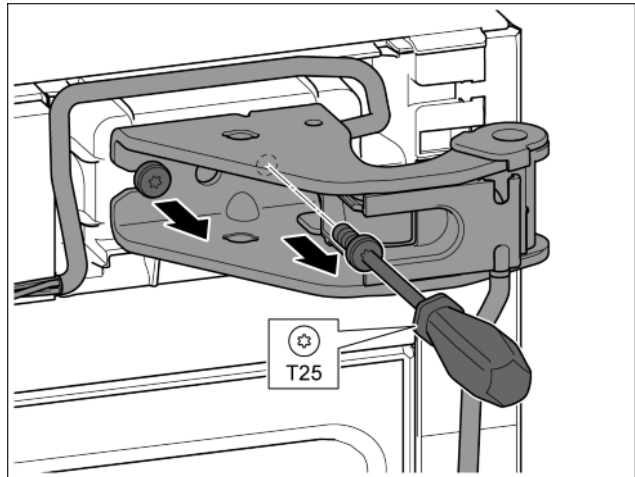


Fig. 23

- ▶ Remove both screws with the T25 screwdriver.
- ▶ Lift and remove the bearing bracket and cable.

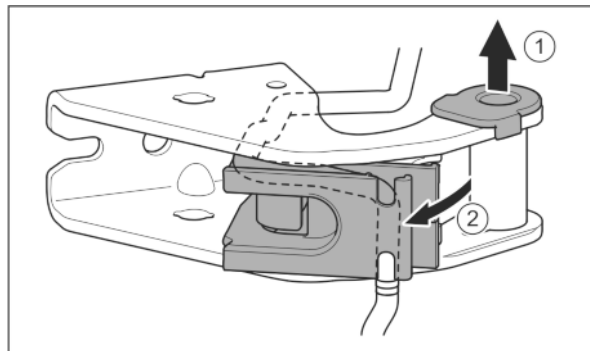


Fig. 24

- ▶ Pull the bearing bush out of the guide. *Fig. 24 (1)*
- ▶ Swing the cable holder out. *Fig. 24 (2)*

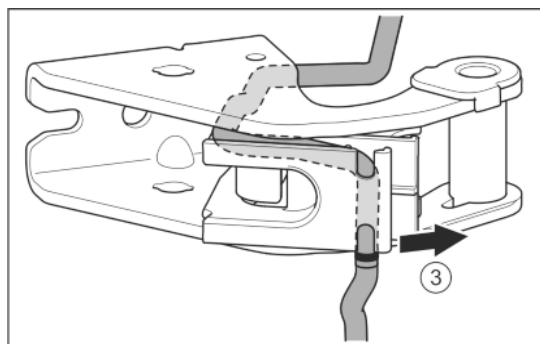


Fig. 25

- ▶ Remove the cable from the guide. *Fig. 25 (3)*

## NOTICE

Cable crushing

- ▶ Pay attention to the mark when positioning the cable. The shorter end of the cable is positioned from the mark in the cable holder.

# Putting into operation

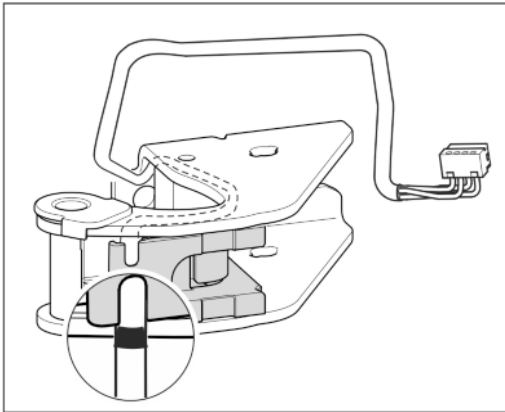


Fig. 26

- ▶ Insert the cable mirror inverted.
- ▷ The black mark must be positioned on the edge of the cable holder.
- ▶ Swing the cable holder in.

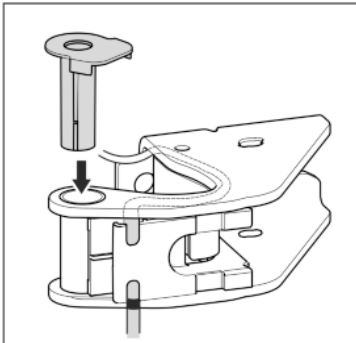


Fig. 27

- ▶ Insert the bearing bush from the other side and click into place.

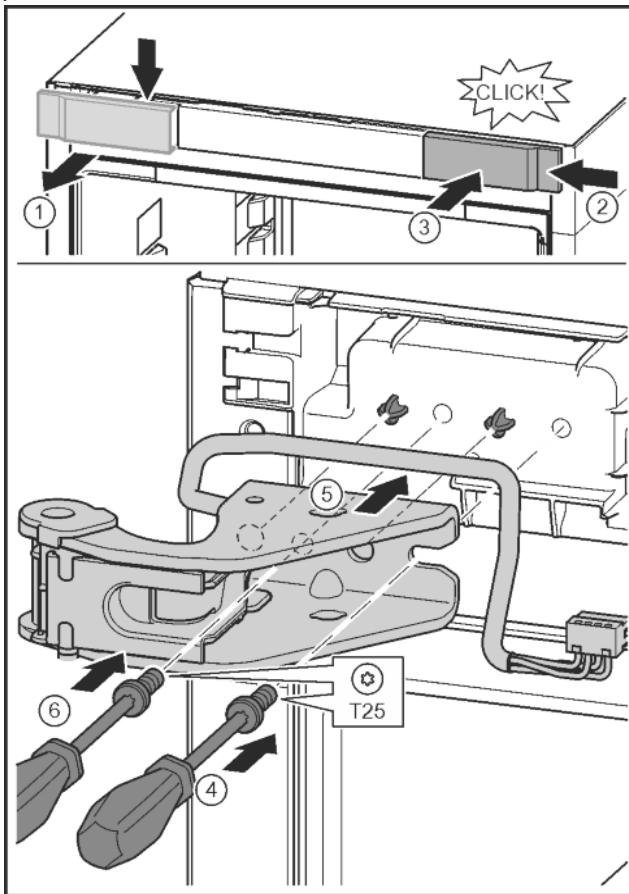


Fig. 28

- ▶ Release the cover and remove from the side. Fig. 28 (1)
- ▶ Rotate the cover 180° and clip onto the other side from the right. Fig. 28 (2)

- ▶ Click the cover into place. Fig. 28 (3)
- ▶ Position the screw with a T25 screwdriver. Fig. 28 (4)
- ▶ Position the upper bearing bracket. Fig. 28 (5)
- ▷ Place the pins in the provided screw holes.
- ▶ Tighten the screw. Fig. 28 (4)
- ▶ Insert the screw with a T25 screwdriver and tighten. Fig. 28 (6)

## 4.3.7 Moving the central bearing parts to the other side

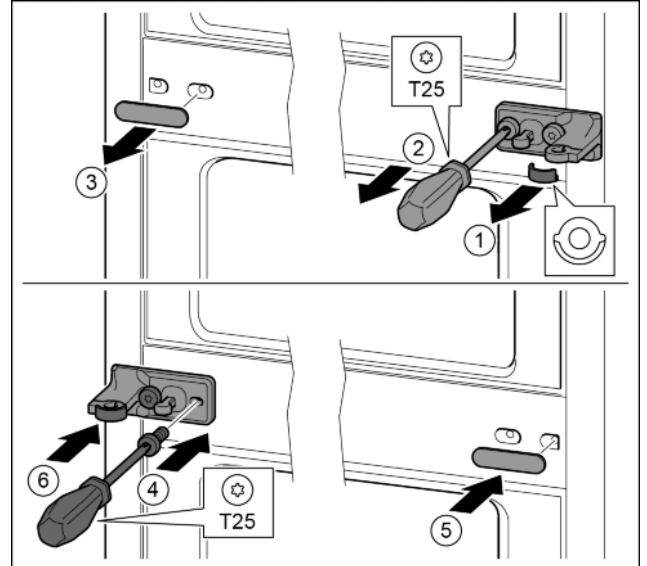


Fig. 29

- ▶ Remove the washer. Fig. 29 (1)
- ▶ Remove the screws with the T25 screwdriver. Fig. 29 (2)
- ▶ Remove the cover carefully. Fig. 29 (3)
- ▶ Screw the bearing bracket and the film rotated 180° firmly onto the other side. Fig. 29 (4)
- ▶ Attach the cover rotated 180° onto the other side. Fig. 29 (5)
- ▶ Push the washer in from the front. Fig. 29 (6)

## 4.3.8 Moving the lower bearing parts to the other side

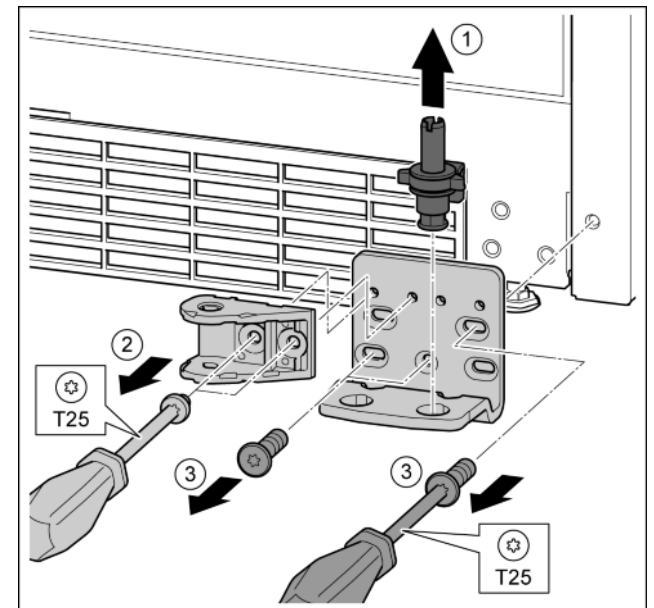


Fig. 30

- ▶ Lift the bearing pin completely upward and remove. Fig. 30 (1)
- ▶ Remove the screws with the T25 screwdriver and remove the soft stop connection. Fig. 30 (2)

- ▶ Undo the screws with a T25 screwdriver and remove the bearing bracket *Fig. 30 (3)*

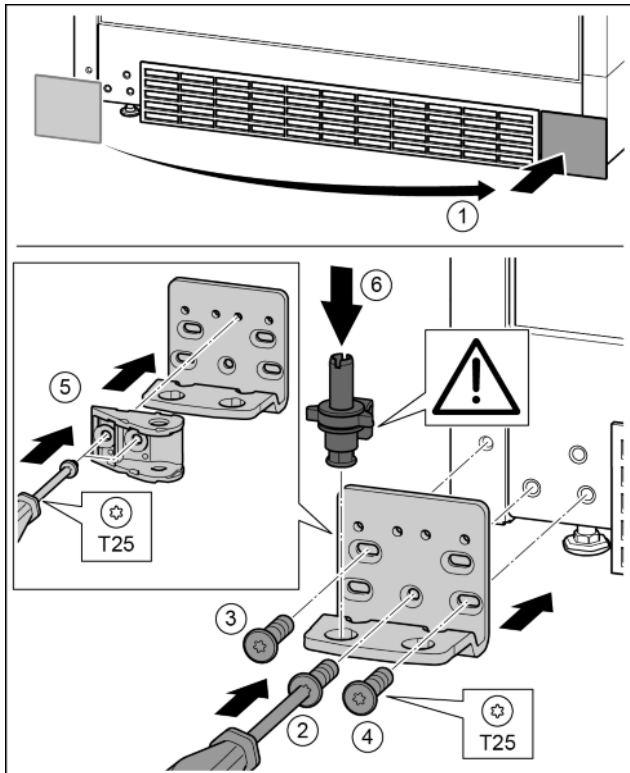


Fig. 31

- ▶ Remove the cover and fix it on the other side. *Fig. 31 (1)*
- ▶ Place the bearing bracket on the other side and screw in with the aid of a T25 screwdriver. Start with screw 2 at the bottom in the middle. *Fig. 31 (2)*
- ▶ Screw in screws 3 and 4. *Fig. 31 (3, 4)*
- ▶ Rotate the soft stop connection 180°. Screw in with a T25 screwdriver on the other side of the bearing bracket. *Fig. 31 (5)*
- ▶ Insert the bearing pin completely. Make sure that the catch mechanism is pointing to the rear. *Fig. 31 (6)*

## 4.3.9 Moving the door bearing parts to the other side

### Top door

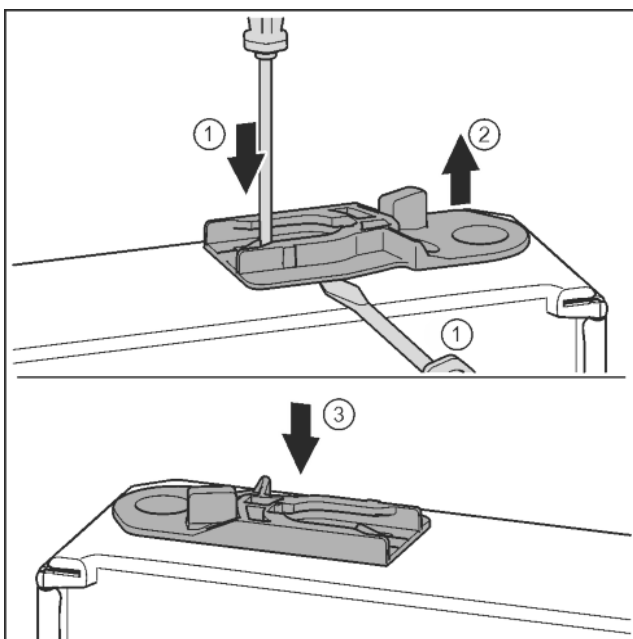


Fig. 32

- ▶ Underside of door faces upwards: Turn the door.
- ▶ Pull out the guide bush: Press the tab with a slotted screwdriver and, at the same time, insert the slotted screwdriver under the guide bush. *Fig. 32 (1, 2)*
- ▶ Slide the guide bush included in the scope of supply to the other side of the housing. *Fig. 32 (3)*
- ▶ Upper side of door faces upwards: Turn the door.

## 4.3.10 Moving the handles to the other side

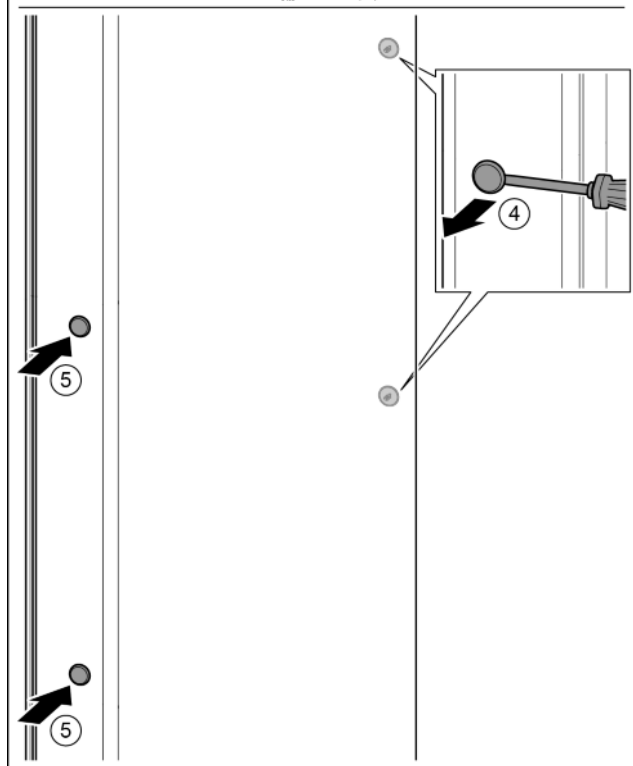
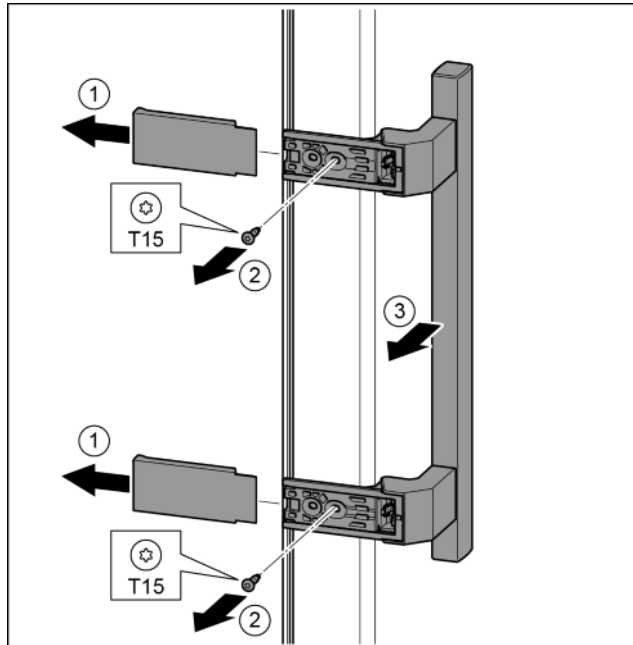


Fig. 33

- ▶ Pull off the cover. *Fig. 33 (1)*
- ▶ Remove the screws with the T15 screwdriver. *Fig. 33 (2)*
- ▶ Remove the handle. *Fig. 33 (3)*
- ▶ Carefully lift up the side plugs with a slotted screwdriver and pull them out. *Fig. 33 (4)*
- ▶ Insert the plugs again on the other side. *Fig. 33 (5)*

# Putting into operation

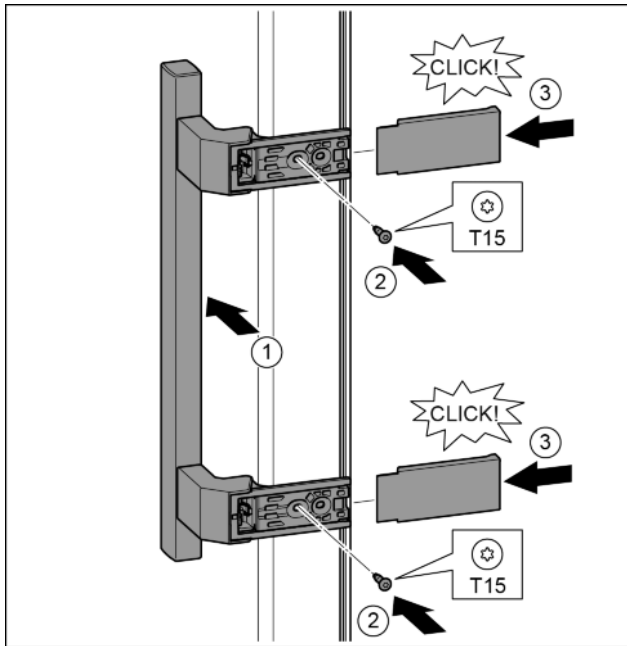


Fig. 34

- ▶ Position the handle on the other side. Fig. 34 (1)
- ▷ The screw holes must be exactly above each other.
- ▶ Tighten the screws with the T15 screwdriver. Fig. 34 (2)
- ▶ Position the covers on the side and push in. Fig. 34 (3)
- ▷ Ensure that it clicks into place.

## 4.3.11 Fitting the bottom door

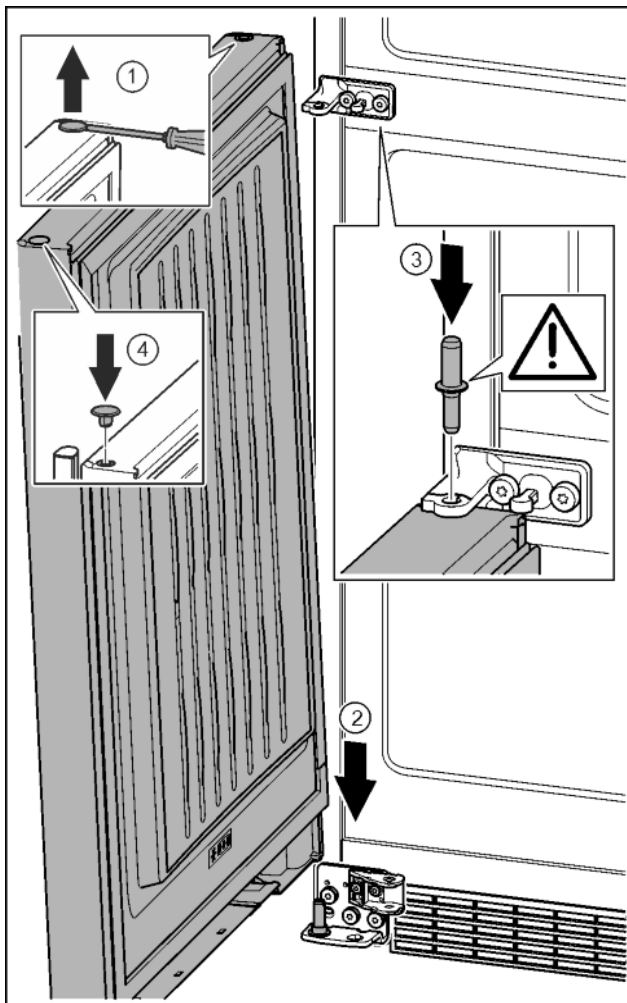


Fig. 35

- ▶ Carefully lift up the plugs with a slotted screwdriver and remove them. Fig. 35 (1)
- ▶ Position the door from above onto the lower bearing pins. Fig. 35 (2)
- ▶ Insert the centre bearing pin through the centre bearing bracket into the lower door. Make sure that the catch mechanism is pointing to the rear. Fig. 35 (3)
- ▶ Insert the plugs again on the other side of the door. Fig. 35 (4)

## 4.3.12 Fitting the upper door

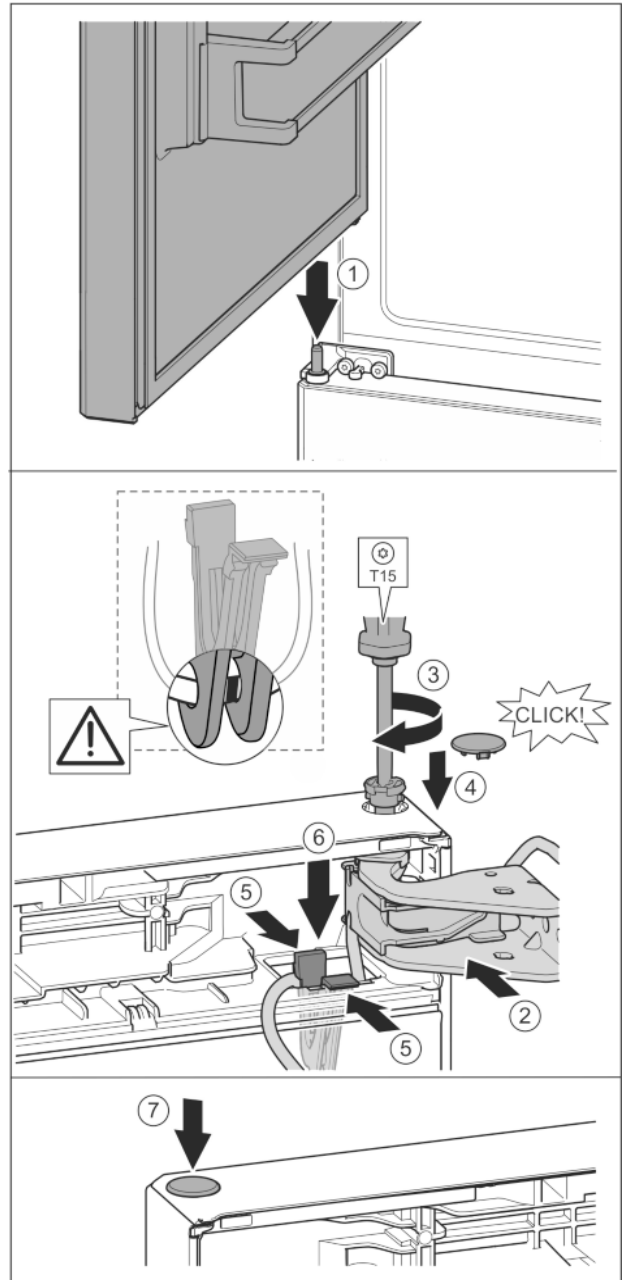


Fig. 36

- ▶ Place the upper door on the centre bearing pins Fig. 36 (1)
- ▶ Align the top of the door with opening in the bearing bracket. Fig. 36 (2)
- ▶ Insert the bolt and tighten with a T15 screwdriver. Fig. 36 (3)
- ▶ Fit the protective cover to protect the door: Insert the protective cover and check that it is attached to the door. If not, insert the bolt fully. Fig. 36 (4)

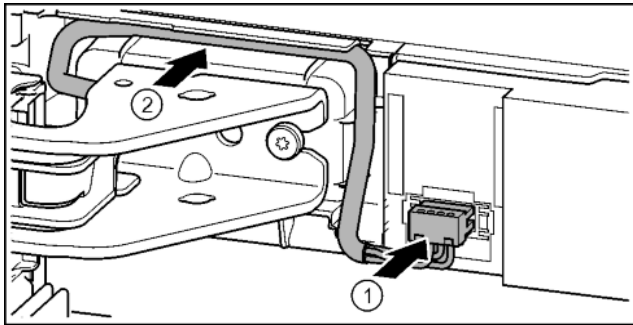
### NOTICE

#### Cable crushing

- ▶ The mark on the cable must be centred in the holder. The tab with the longer opening must point forwards.

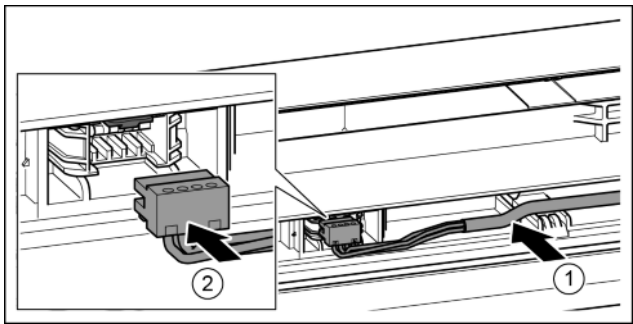
- ▶ Insert the holder with its cable into the opening. *Fig. 36 (5)*
- ▶ Press the holder downwards until the tab clicks into place. *Fig. 36 (6)*
- ▶ Insert the plugs. *Fig. 36 (7)*

## 4.3.13 Fitting the cable connection



*Fig. 37*

- ▶ Engage the plug above the upper bearing bracket and carefully place the cable strands into the channel. *Fig. 37 (1)*
- ▶ Carefully position the grey cable in the guide above the top bearing bracket. *Fig. 37 (2)*



*Fig. 38*

- ▶ Insert the grey cable into the guide in the top door. *Fig. 38 (1)*
- ▶ Engage the plug. *Fig. 38 (2)*
- ▶ Position the remaining cable length as a loop in the guide, if required.

## 4.3.14 Aligning the doors



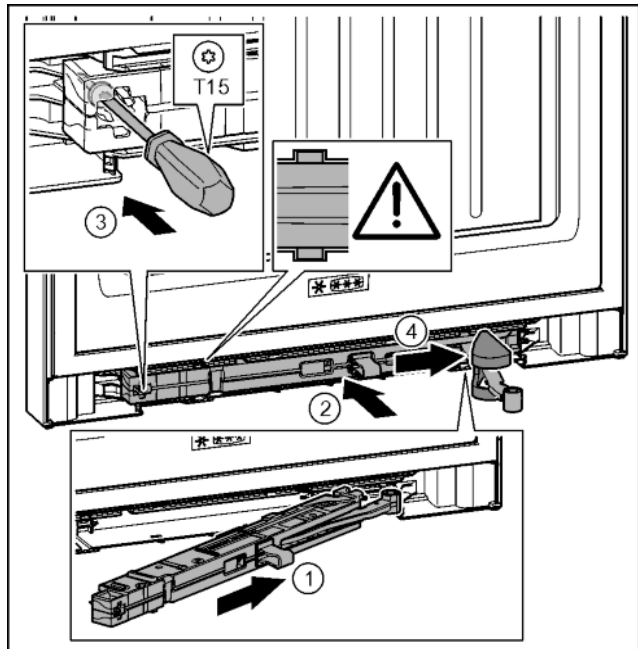
### WARNING

Risk of injury due to the door dropping out!

If the bearing parts are not screwed into place firmly enough, the door may drop out. This may lead to severe injuries. What is more, the door may not close and therefore the appliance may fail to cool properly.

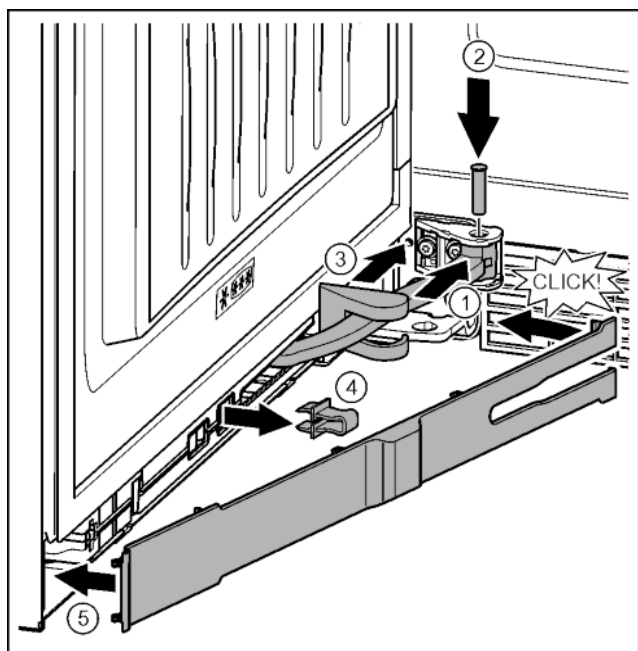
- ▶ Screw the turn hinges firmly into place with 4 Nm.
  - ▶ Check all of the screws and retighten if necessary.
- 
- ▶ Align the doors flush with the appliance housing using the two oblong holes in the lower bearing bracket and centre bearing bracket if needed. To do this undo the middle screw in the bottom bearing bracket with the T25 tool supplied. Undo the remaining screws a little with the T25 tool or with a T25 screwdriver and align using the slotted holes. Undo the screws in the middle bearing bracket with the T25 tool and align the middle bearing bracket using the slotted holes.
  - ▶ Support the door: Take off the adjustable foot on the bearing bracket using the open-ended wrench SW10 until it comes into contact with the floor, then turn an additional 90°.

## 4.3.15 Fit the bottom soft stop mechanism



*Fig. 39*

- ▶ Slide the soft stop mechanism on the bearing bracket side at an angle into the slot as far as the limit stop. *Fig. 39 (1)*
- ▶ Slide the soft stop mechanism fully into the slot. *Fig. 39 (2)*
- ▷ The unit is positioned correctly when the rib on the soft stop mechanism is in the guide.
- ▶ Tighten the screw with the T15 screwdriver. *Fig. 39 (3)*
- ▶ Push the cover over the hinge. *Fig. 39 (4)*



*Fig. 40*

The door is open 90°

- ▶ Turn the hinge in the mount. *Fig. 40 (1)*
- ▶ Insert the bolt with a T15 screwdriver in the mount and hinge. Make sure that the catch mechanism is sitting correctly in the groove. *Fig. 40 (2)*
- ▶ Push the bearing bracket cover along the hinge and fit on the mount. *Fig. 40 (3)*
- ▶ Remove the locking device. *Fig. 40 (4)*
- ▶ Position the panel on the handle side and swing it in. *Fig. 40 (5)*
- ▷ The panel is clicked into place.
- ▶ Close the bottom door.

# Putting into operation

## 4.3.16 Fit the top soft stop mechanism

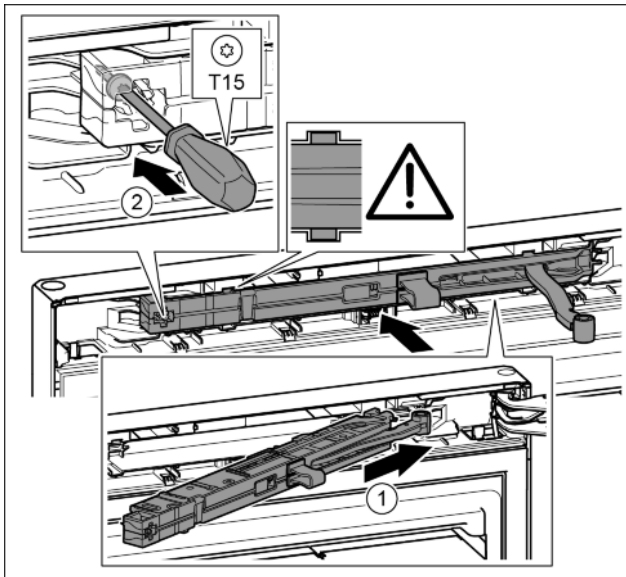


Fig. 41

- ▶ Slide the soft stop mechanism on the bearing bracket side at an angle into the slot as far as the limit stop. Fig. 41 (1)
- ▶ Slide the unit in fully.
- ▷ The unit is positioned correctly when the rib on the soft stop mechanism is in the guide in the housing.
- ▶ Tighten the screw with the T15 screwdriver. Fig. 41 (2)

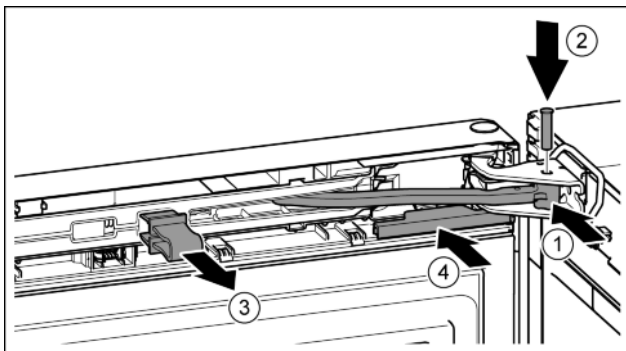


Fig. 42

The door is open 90°.

- ▶ Turn the hinge in the bearing bracket. Fig. 42 (1)
- ▶ Insert the bolt in the bearing bracket and hinge. Make sure that the catch mechanism is sitting correctly in the groove. Fig. 42 (2)
- ▶ Remove the locking device. Fig. 42 (3)
- ▶ Slide on the cover. Fig. 42 (4)

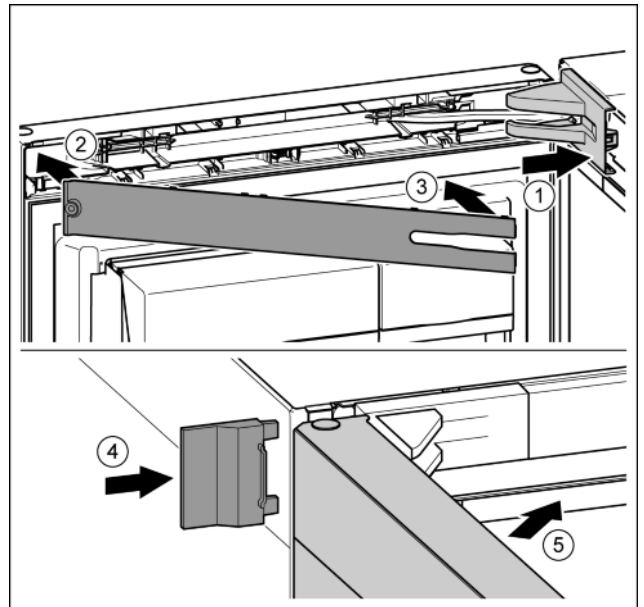


Fig. 43

- ▶ Position the bearing bracket and engage. If necessary push apart carefully. Fig. 43 (1)
- ▶ Position the panel. Fig. 43 (2)
- ▶ Swing in the panel and click into place. Fig. 43 (3)
- ▶ Slide on the external cover. Fig. 43 (4)
- ▶ Close the upper door. Fig. 43 (5)

## 4.4 Water connection



### WARNING

Danger of electric shock!

- ▶ Disconnect the appliance by unplugging it before you connect it to the water line.
- ▶ Shut off the water supply before you connect the water feed lines of the IceMaker.
- ▶ The connection to the drinking water system may be carried out only by a qualified gas fitter and plumber.



### WARNING

Risk of poisoning!

- ▶ The water quality has to comply with the drinking water ordinance of the respective country (e.g. 98/8
- ▶ Connect to the drinking water supply only.
- ▶ The IceMaker serves exclusively for making ice cubes in household quantities and has to be operated with water suitable for the purpose.

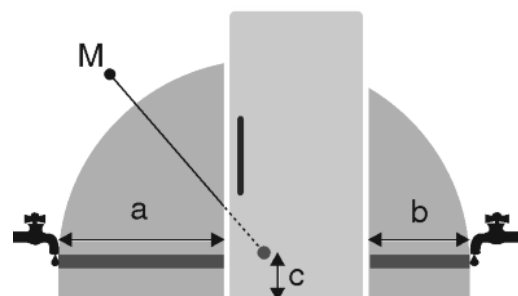


Fig. 44

a	b	c	M
~ 1100 mm	~ 700 mm	~ 110 mm	Solenoid valve

- The water pressure must be between 0.15 MPa and 0.6 MPa (1.5 bar - 6 bar).



- The water must be connected to the appliance via a cold water pipe that can withstand the operating pressure and complies with hygiene standards.  
Use the stainless steel hose supplied (length 1.5 m). Do not reuse old hoses. A 3 m hose is available as an optional extra. This must be professionally installed.  
A filter with a seal is located in the hose connector.
- A stopcock must be provided between the hose line and the domestic water connection to cut off the water supply if necessary.
- The stopcock must be located outside the back of the appliance and be within easy reach so that the appliance can be inserted as deeply as possible and the stopcock can be turned off quickly. Stick to the clearances.
- All devices and equipment used to supply water must comply with the regulations in force in the respective country.
- Do not damage or kink the water supply line during installation.

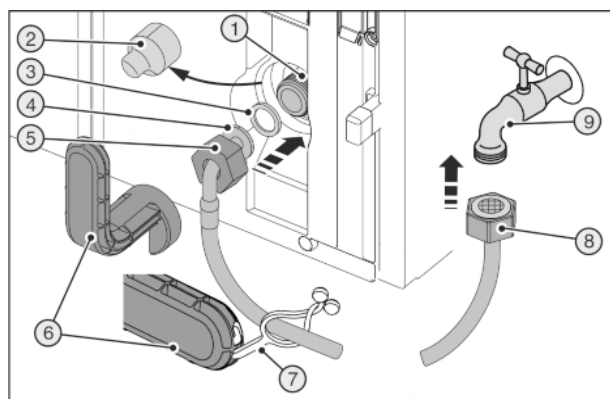


Fig. 45

The solenoid is located at the bottom on the back of the appliance. It has a metric R3/4 connecting thread.

**For specialist staff:**

Connecting the stainless steel hose: The back of the appliance must be accessible.



**WARNING**

Broken auxiliary tool Fig. 45 (6).

Cuts.

- ▶ Only use an auxiliary tool Fig. 45 (6) at room temperature.

Connecting the hose to the appliance:

- ▶ Remove the cover Fig. 45 (2).
- ▶ Easy to fit: Place the straight end of the hose Fig. 45 (8) to the left on the floor.
- ▶ Slide the nut Fig. 45 (5) over the angled end of the hose Fig. 45 (4) up to the end and secure.
- ▶ Moisten Fig. 45 (3) the seal and push onto the nut Fig. 45 (5).
- ▷ The seal Fig. 45 (3) lies flat and is easily retained.

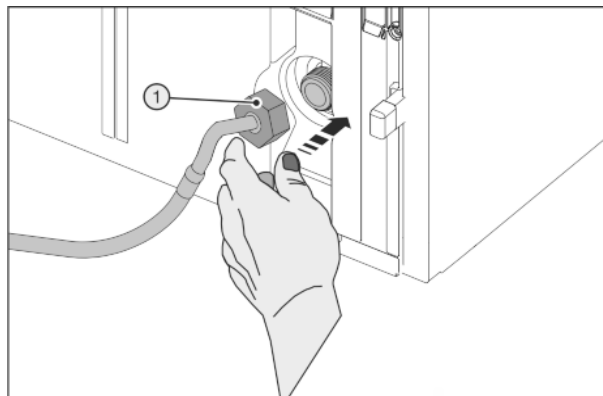


Fig. 46

**NOTICE**

Damaged solenoid thread pitch.

The solenoid leaks: Water may leak out.

- ▶ Position the nut Fig. 46 (1) carefully and screw it directly onto the thread with two fingers until it is seated securely.

- ▶ Tighten the nut Fig. 46 (1) clockwise with the auxiliary tool Fig. 45 (6) until maximum torque is reached and the auxiliary tool Fig. 45 (6) overtightens.

Connecting the hose to the stopcock:

- ▶ Screw the nut Fig. 45 (8) onto the stopcock Fig. 45 (9).
- ▶ Tighten the nut Fig. 45 (8) clockwise with the auxiliary tool Fig. 45 (6) until maximum torque is reached and the auxiliary tool Fig. 45 (6) overtightens.
- ▶ Turn the water supply stopcock Fig. 45 (9) on and check the whole water system for leaks.
- ▶ Flushing the IceMaker: **Turning the IceMaker on chapter** (see 5.5.10.2 Switch the IceMaker on.)
- ▶ Hook the clip Fig. 45 (7) into the auxiliary tool Fig. 45 (6) and fix it to the stainless steel pipe to store it.

## 4.5 Insertion into a row of kitchen units

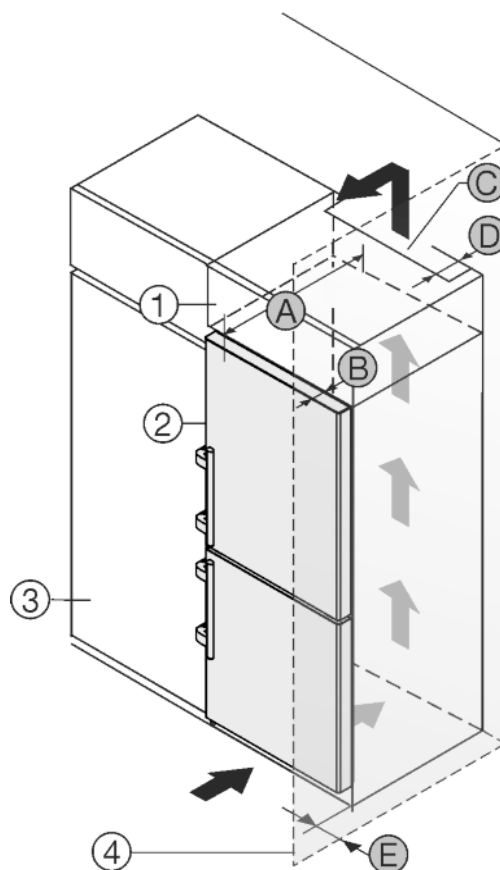


Fig. 47

# Putting into operation

A [mm]	B [mm]	C [cm <sup>2</sup> ]	D [mm]	E [mm]
665 *	65	Min. 300	Min. 50	Min. 46

\* If wall spacers are used, the dimensions increase by 15 mm (see 4.2 Installing the appliance) .

The dimensions apply for an opening angle of 90 °. Spacing angles will vary according to the opening angle.

You can purchase a kit to limit the door opening angle to 90° on soft closing appliances. Please contact our customer service team.

The appliance can be built into kitchen units. A top cupboard *Fig. 47 (2)* can be added above the appliance in order to bring the appliance *Fig. 47 (1)* up to the height of the fitted kitchen units.

The appliance can be installed right next to the kitchen cabinet *Fig. 47 (3)*. The appliance must stick out by the depth *Fig. 47 (B)* from the front of the cabinet so that the doors can be opened fully. The appliance may protrude further depending on the depth of the kitchen cabinets and whether wall spacers are used.

## NOTICE

**Danger of overheating due to insufficient air ventilation!**  
The compressor may be damaged if there is insufficient air ventilation.

- ▶ Take care to ensure adequate air ventilation.
- ▶ Observe the ventilation requirements.

Ventilation requirements:

- Spacer ribs on the back of the appliance provide sufficient air ventilation. In the final appliance position, these must not be placed in recesses or cut-outs.
- There must be a ventilation shaft with the depth *Fig. 47 (D)* at the back of the top cupboard over the entire width of the cupboard.
- The ventilation shaft *Fig. 47 (C)* must be observed under the ceiling.
- the larger the ventilation space, the more energy-saving the appliance is in operation.

If the appliance is installed with the hinges next to a wall *Fig. 47 (4)* the distance *Fig. 47 (E)* between the appliance and the wall must be observed. This is how far the handle protrudes when the door is open.

## 4.6 Disposing of packaging



### WARNING

Danger of suffocation due to packing material and plastic film!  
▶ Do not allow children to play with packing material.

The packaging is made of recyclable materials:

- corrugated board/cardboard
- expanded polystyrene parts
- polythene bags and sheets
- polypropylene straps
- nailed wooden frame with polyethylene panel\*

- ▶ Take the packaging material to an official collecting point.



## 4.7 Connecting the appliance



### WARNING

Failure to connect properly  
Fire hazard.

- ▶ Do not use an extension cable.
- ▶ Do not use distributor blocks.

## NOTICE

Failure to connect properly  
Damage to the electronics.

- ▶ Do not use a standalone inverter.
- ▶ Do not use an energy saving plug.

## Note

Only use the power connection lead supplied.

- ▶ A longer power connection lead can be ordered from Customer Service.

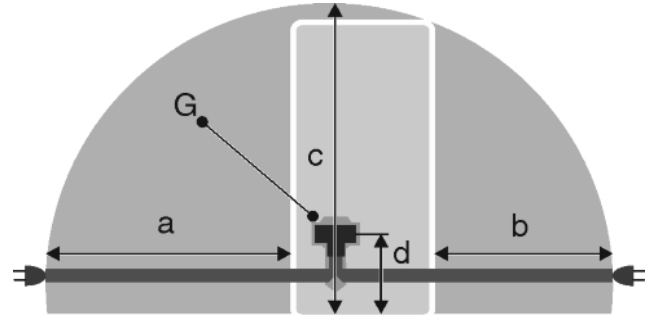


Fig. 48

a	b	c	d	G
~ 1800 mm	~ 1400 mm	~ 2100 mm	~ 200 mm	Appliance plugs

Ensure that the following conditions are met:

- The type of current and voltage at the installation site correspond to the information on the model plate (see 1 Appliance at a glance) .
- The socket is earthed according to the regulations and fused.
- The fuse tripping current is between 10 and 16 A.
- The socket is easily accessible.
- The socket is outside the back of the appliance area in the specified area *Fig. 48 (a, b, c)*.
- ▶ Check the electrical connection.
- ▶ Insert the appliance plug *Fig. 48 (G)* into the back of the appliance. Ensure that it clicks into place.
- ▶ Connect the power plug to the power supply.
- ▷ The Liebherr logo appears on the screen.
- ▷ The display switches to the standby symbol.

## 4.8 Switching on the appliance

### Note

If the appliance is in demo mode, DEMO appears on the home-screen.

- ▶ Disable demo mode (see 7 Malfunctions) .

### Note

The manufacturer recommends:

- ▶ Store frozen produce at -18 °C or colder.

Connect and switch on appliance approx. 2 hours before loading for the first time.

### 4.8.1 Switch on appliance

**If the standby symbol is displayed over the whole screen:**

- ▶ Press the standby symbol.
- ▷ The appliance is switched on. The display switches to the home screen.
- ▷ The appliance is set to the displayed temperatures. This is shown by down arrows.

**If the Standby symbol appears in the BioFresh field or freezer field:**

- ▶ Press the Standby symbol in the BioFresh field or freezer field.
- ▷ The appliance is switched on.
- ▷ The appliance is set to the displayed temperatures. This is shown by down arrows.

**If the screen is black:**

- ▶ Touch the screen.
- ▷ The standby symbol appears on the whole screen.
- ▶ Press the standby symbol.
- ▷ The appliance is switched on. The display switches to the home screen.
- ▷ The appliance is set to the displayed temperatures. This is shown by down arrows.

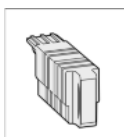
### 4.8.2 Switch BioFresh section on

The Standby symbol appears in the BioFresh field:

- ▶ Press the Standby symbol in the BioFresh field.
- ▷ BioFresh section is switched on.
- ▷ The BioFresh compartment adjusts to the displayed temperature. This is shown by down arrows.

## 4.9 SmartDeviceBox

**SmartDeviceBox:** Start-up instructions [www.smartdevice.liebherr.com/install](http://www.smartdevice.liebherr.com/install)



If the **SmartDevice box** (SDB) is inserted correctly the menu below appears. The device is supplied with WLAN activated.

To use more WiFi options, open the WiFi menu.



Fig. 49

- ▶ Press **WIFI**.
- ▷ The **WIFI** menu opens.

**Turning on/off WiFi**

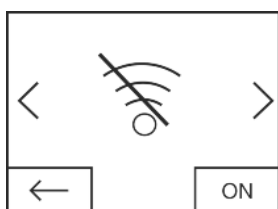


Fig. 50

- ▶ Use the slider at the bottom right to turn on/off **WIFI**
- ▷ Slider to OFF = **WIFI** is disabled.
- ▷ Slider to ON = **WIFI** is enabled.

**WIFI INFO**

Call up the status of the **SmartDevice box**.

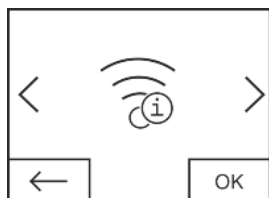


Fig. 51

- ▶ Press the **OK** button.
- ▷ The **WIFI INFO** screen opens.
- ▷ The following statuses can be displayed:

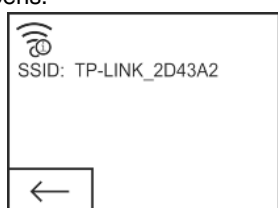


Fig. 52

- ▷ SSID: **\*\*\*WPS\*\*\*** = The **SmartDevice box** is in **WPS mode** for 3 minutes. An automatic connection to the **SmartDevice box** can be established via the router.
- ▷ SSID: **LHSDB\_XXXXXXXX** = the **SmartDevice box** is in **manual connection mode** for 30 minutes. The **SmartDevice box** transmits a private network to which you can connect to send WLAN data.
- ▷ SSID: empty = The **SmartDevice box** is in **sleep mode**. Please reset the **WIFI** and connect your **SmartDevice box** to the home network.
- ▷ SSID: **TP-LINK\_2D43A2** or **Fritz!Box7069** = The **SmartDevice box** is connected to the home network.

**WIFI RESET**

Resetting the **SmartDevice box** to the default settings.

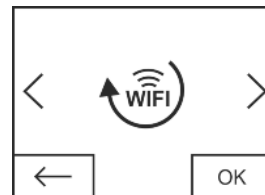


Fig. 53

- ▶ Confirm with **OK**.
- ▷ The **SmartDevice box** is reset to the default settings.

**Showing the WiFi status on the Home screen**

**Status: WiFi on & connected**

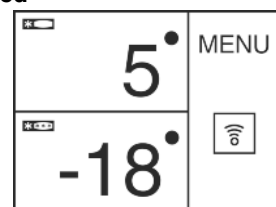


Fig. 54

- ▶ The **WiFi indicator** is white.
- ▷ WiFi is on.
- ▷ The home network and the Liebherr server are connected.

**Status: WiFi on & connecting**

- ▶ The **WiFi display** shows a clock.

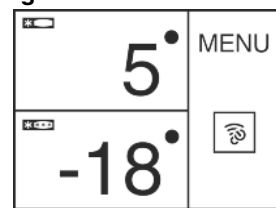


Fig. 55

- ▷ WiFi is on.
- ▷ There is no connection to the home network and/or the Liebherr server.

**Status: WiFi on & disconnected**

- ▶ The **WiFi display** shows a warning sign.

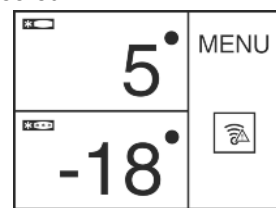


Fig. 56

- ▷ WiFi is on.
- ▷ The **SmartDevice box** is either not connected to a network or the **SmartDevice box** is connected to a network but the network cannot be found, e.g. switched off at night.

## 4.10 Inserting the FreshAir filter.

The supplied FreshAir filter can be used for optimum air quality. The intake is located at the top of the appliance, (see 1 Appliance at a glance)

# Control

- ▶ Remove cover.

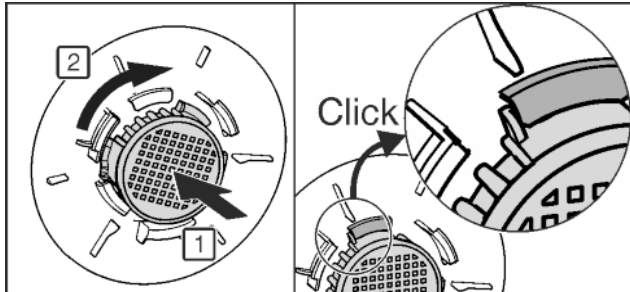
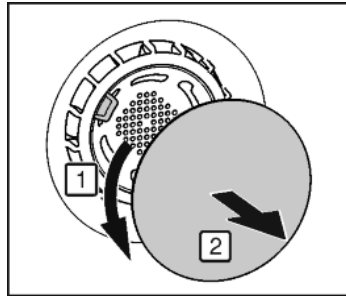


Fig. 57

- ▶ FreshAir-Insert the filter in the cover and turn it clockwise.
- ▶ Ensure that the filter clicks into place.
- ▶ Replace the cover again.

## Setting the timer

- ▶ Press menu.
- ▶ Press the navigation arrows until the FreshAir filter is displayed.
- ▶ Press the FreshAir filter symbol.
- ▶ Press ON.
- ▷ The timer is set. After the interval has expired a message prompts you to change the FreshAir filter.



## 4.11 Setting the clean ventilation grid timer

The ventilation grid must be cleaned at least once a year for sufficient ventilation. The timer can be set as a reminder.

- ▶ Press menu.
- ▶ Press the navigation arrows until the ventilation grid is displayed.
- ▶ Press the ventilation grid symbol.
- ▶ Press ON.
- ▷ The timer is set. After the interval has expired a message prompts you to clean the ventilation grid.



# 5 Control

## 5.1 Changing the temperature unit

The temperature display can be switched from °C to °F.

- ▶ Press menu.
- ▶ Press the navigation arrow until °C is displayed.
- ▶ Press °F.
- ▷ The temperature is displayed in °F.



Switch from °F to °C in the same way.

## 5.2 Child proofing

The child-proofing function enables you to make sure that the appliance is not inadvertently switched off by playing children.



### 5.2.1 Switching on the child safety device

- ▶ Press menu.
- ▶ Press the navigation arrows until the child safety device is displayed.
- ▶ Press ON.
- ▷ The child safety device is switched on.



### 5.2.2 Switching the child safety device off

- ▶ Press menu.
- ▶ Press the navigation arrows until the child safety device is displayed.
- ▶ Press OFF.
- ▷ The child safety device is switched off.



## 5.3 Sabbath Mode

This function meets the religious requirements on the Sabbath or Jewish feast days. When Sabbath mode is on some of the electronic control functions are switched off. After setting Sabbath mode you no longer need to worry about indicator lamps, figures, symbols, displays, alarm messages and fans. The thawing cycle only works for the specified time without taking account of fridge use. After a power cut the appliance automatically switches back to Sabbath mode.

There is a list of Star-K certified appliances at [www.star-k.org/appliances](http://www.star-k.org/appliances).



### WARNING

Danger of food poisoning.

If a power cut occurs when Sabbath mode is enabled, this message is not saved. Once the power is restored the appliance continues to work in Sabbath mode. When this mode is over no message about the power cut is displayed on the temperature display.

If a power cut occurred during Sabbath mode:

- ▶ Check the food for quality. Do not eat the food if it has thawed.

- All functions are blocked until Sabbath mode is switched off.
- If functions such as SuperFrost, SuperCool, ventilation etc. are selected when Sabbath mode is switched on they remain switched on.
- The IceMaker does not work.
- No audible signals are emitted and the temperature display does not indicate any warnings or settings (such as a temperature alarm or door alarm).
- The internal light is off.

### 5.3.1 Switching SabbathMode on.

- ▶ Press menu.
- ▶ Press the navigation arrow until SabbathMode is displayed.
- ▶ Press ON.
- ▷ SabbathMode is switched on. Only the SabbathMode symbol appears on the screen.



SabbathMode switches off automatically after 120 hours if it has not already been switched off manually. The display switches to the home screen.

### 5.3.2 Switch off the SabbathMode

- ▶ Touch the screen.
- ▶ Press OFF.
- ▷ SabbathMode is switched off.



## 5.4 BioFresh compartment

In the BioFresh section, certain fresh foods can be kept fresh for longer compared to conventional cooling methods.

For food with an indicated best before date, the date specified on the packaging always applies.

If the temperature falls below 0 °C, foodstuffs can freeze.

### 5.4.1 DrySafe

The DrySafe is suitable for storing dry or wrapped food (e.g. dairy products, meat, fish, sausages). A relatively dry storage climate is established here.

### 5.4.2 Fruit & Vegetable safe

The humidity in the Fruit & Vegetable safe depends on the moisture content of the items being stored and the number of times the door is opened. You can set the humidity yourself.

On the high moisture setting, the Fruit & Vegetable safe is suitable for storing loose salad, vegetables and fruit with a high moisture content. A well-stocked drawer is stored in absolute freshness.

### 5.4.3 Setting the moisture level in the Fruit & Vegetable safe

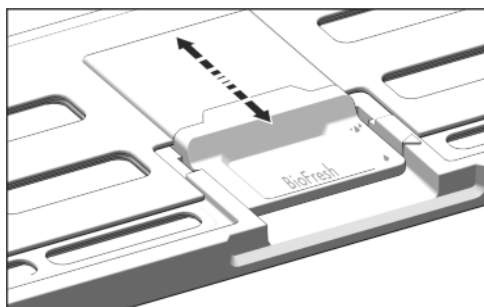




Fig. 58

You can choose any moisture setting for the Fruit & Vegetable safe.

- ▶  Low humidity: Slide the slide bar backwards.
  - ▷ The openings in the cover are partially or fully open. The moisture levels drop in the Fruit & Vegetable safe.
- ▶  High humidity: Slide the slide bar forwards.
  - ▷ The openings in the cover are partially or fully closed. The moisture levels rise in the Fruit & Vegetable safe.

### 5.4.4 Storing food

#### Note

▶ Do not put the following in the BioFresh section: cold-sensitive vegetables including cucumbers, aubergines, tomatoes, courgettes and any cold-sensitive tropical fruits.

▶ To prevent food spoilage due to transfer of germs: Store unwrapped animal and vegetable products separate from one another in the drawers. This also applies to different sorts of meat.

If food has to be stored together due to lack of space:

- ▶ wrap the food.
- ▶ Storing high-moisture content foods: shake off the moisture beforehand.

If there is too much moisture in the compartment:

- ▶ select the low moisture setting.

-or-

- ▶ Remove any excess moisture with a cloth.

## 5.4.5 Storage times

Guidelines for storage periods at low humidity 0 °C			
Butter	up to	90	days
Hard cheese	up to	110	days
Milk	up to	12	days
Cold meats	up to	9	days
Poultry	up to	6	days
Pork	up to	7	days
Beef	up to	7	days
Game	up to	7	days

#### Note

- ▶ Please note that protein-rich food deteriorates faster, i.e. shellfish and crustaceans deteriorate faster than fish, fish faster than meat.

Guidelines for storage periods at high humidity 0 °C			
<b>Vegetables, salads</b>			
Artichokes	up to	14	days
Celery	up to	28	days
Cauliflower	up to	21	days
Broccoli	up to	13	days
Chicory	up to	27	days
Leaf lettuce	up to	19	days
Peas	up to	14	days
Kale	up to	14	days
Carrots	up to	80	days
Garlic	up to	160	days
Cabbage	up to	55	days
Round lettuce	up to	13	days
Herbs	up to	13	days
Leeks	up to	29	days
Mushrooms	up to	7	days
Radishes	up to	10	days
Sprouts	up to	20	days
Asparagus	up to	18	days
Spinach	up to	13	days
Savoy cabbage	up to	20	days
<b>Fruit</b>			
Apricots	up to	13	days
Apples	up to	80	days
Pears	up to	55	days
Blackberries	up to	3	days
Dates	up to	180	days
Strawberries	up to	7	days
Figs	up to	7	days
Blueberries	up to	9	days
Raspberries	up to	3	days

EN

Guidelines for storage periods at high humidity 0 °C			
Red currants	up to	7	days
Cherries, sweet	up to	14	days
Kiwis	up to	80	days
Peaches	up to	13	days
Plums	up to	20	days
Cranberries	up to	60	days
Rhubarb	up to	13	days
Gooseberries	up to	13	days
Grapes	up to	29	days

## 5.4.6 Setting the temperature

The temperature depends on the following factors:

- the amount of times the door is opened
- how long the door is open for
- the room temperature of the installation site
- the type, temperature and amount of food

The temperature can be set from 0 °C to 3 °C. At 0 °C the temperature may drop below 0 °C so that the food can freeze.

Recommended temperature setting: 0 °C

- ▶ Press the Biofresh field.
- ▷ The following screen is displayed:

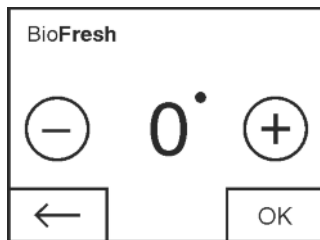


Fig. 59

Setting a higher temperature:

- ▶ Press plus.

Setting a lower temperature:

- ▶ Press minus.

The minus symbol is greyed out when the coldest temperature is selected.

The plus symbol is greyed out if it is pressed again after selecting the hottest temperature. The standby symbol is displayed on the screen.

- ▶ Confirm the required temperature with OK.
- ▷ The display switches to the home screen.
- ▷ The selected temperature is displayed.
- ▷ Up or down arrows indicate the change in temperature. The arrows are greyed out when the target temperature is reached.

## 5.4.7 HydroCool

HydroCool selects the maximum cooling temperature. Use HydroCool to quickly cool large quantities of food.

HydroCool uses slightly more energy.

### Switching on HydroCool

- ▶ Press menu.
- ▶ Press the navigation arrows until HydroCool is displayed.
- ▶ Press ON.
- ▷ HydroCool is on.



### Switching off HydroCool

- ▶ Press menu.
- ▶ Press the navigation arrows until HydroCool is displayed.
- ▶ Press OFF.
- ▷ HydroCool is off.



## 5.4.8 Holiday mode

Holiday mode saves energy and prevents any odours from building up if the appliance door of the BioFresh section stays closed for a prolonged period.



The freezer compartment remains in operation in the holiday mode.

### Switching on the Holiday function

- ▶ Remove all food from the BioFresh compartment as otherwise it will spoil.
- ▶ Press menu.
- ▶ Press the navigation arrow until you see the Holiday function.
- ▶ Press ON.
- ▷ The Holiday function is on.



- ▷ The holiday function symbol appears in the Biofresh field.

### Switching off the Holiday function

- ▶ Press the holiday function symbol in the Biofresh field.
- ▷ The Holiday function is off.
- ▷ The temperature is set to the preset value again. Down arrows show the temperature reduction.



## 5.4.9 Drawers with cushioners

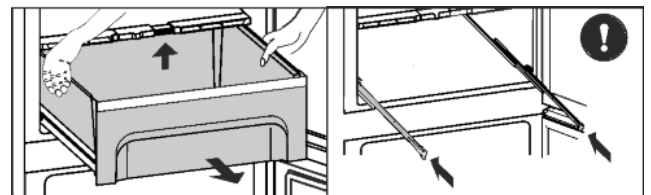


Fig. 60

- ▶ Pull out the drawer, lift it at the back and draw it forwards for removal.
- ▶ Push the rails in again!

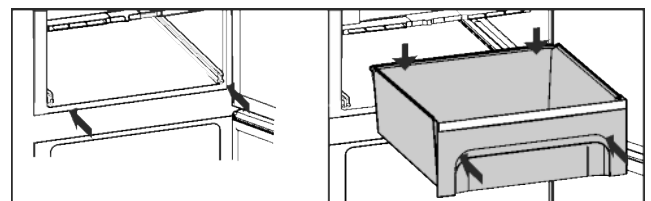


Fig. 61

- ▶ Push the rails in.
- ▶ Attach the drawer and push it in until it engages audibly at the back.

### 5.4.10 Fruit & Vegetable safe cover

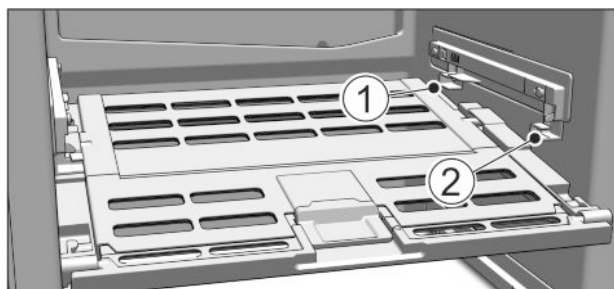


Fig. 62

- ▶ Removing the Fruit & Vegetable safe cover: After pulling out the drawers, carefully pull the cover towards you and down.
- ▶ Replacing the Fruit & Vegetable safe cover: Guide the ridges on the cover into the rear brackets Fig. 62 (1) and click it into the front bracket Fig. 62 (2).

### 5.4.11 Shelf

You can remove and disassemble the shelf above the BioFresh compartments for cleaning.

The shelf is prevented from being pulled out accidentally by pull out stops.

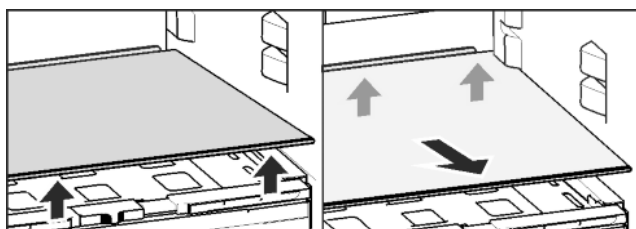


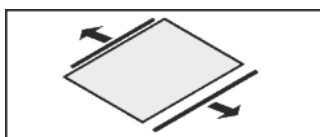
Fig. 63

To remove the shelf:

- ▶ Lift and hold the shelf from the front.
- ▶ Carefully lift the shelf at the back and pull it out towards the front.

To slide the shelf in:

- ▶ Slide the shelf in slightly tilted down to the rear so that the insertion grooves are pointing downwards.
- ▶ Click the shelf into place at the back and position the entire plate.
- ▶ You can take the shelf apart for cleaning.



### 5.4.12 Using the sectioned shelf

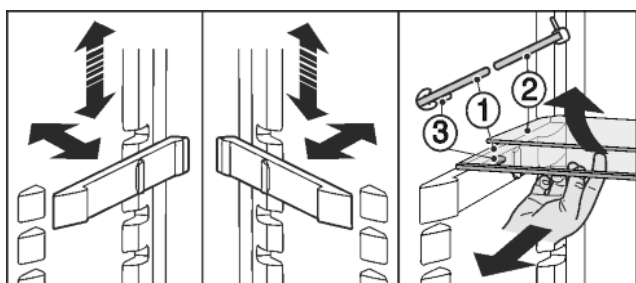


Fig. 64

Adjusting the height:

- ▶ Pull the glass plates out forwards one by one.
  - ▶ Remove the support from the catch mechanism and click into place at the required height.
- Using both shelves:
- ▶ Lift the top glass plate and pull the bottom glass plate forwards.

- ▶ The glass plate (1) with the pull out stops must be at the front so that the stops (3) point downward.

### 5.4.13 Butter dish

Opening/closing the butter dish

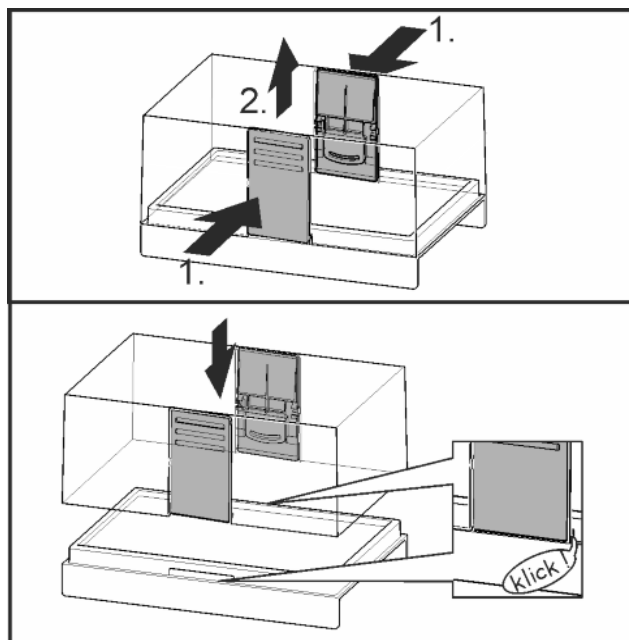


Fig. 65

Dismantling the butter dish

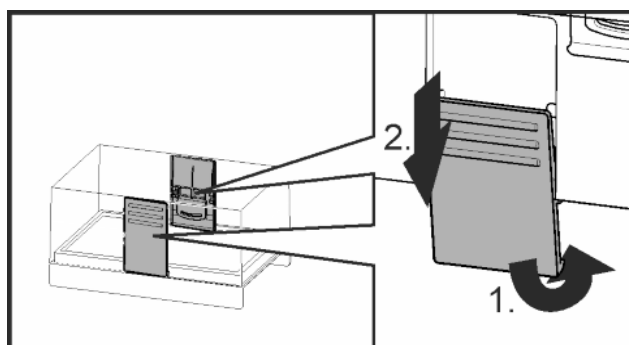


Fig. 66

- ▶ You can take the butter dish apart for cleaning.

## 5.5 Freezer compartment

You can store frozen food, make ice cubes and freeze fresh food in the freezer compartment.

### 5.5.1 Freezing food

The rating plate indicates the maximum quantity of fresh food you can freeze within 24 hours (see 1 Appliance at a glance) under "Freezing capacity ... kg/24h".

Each drawer can hold a max. of 25 kg of frozen food.

The shelves can each be loaded with 35 kg of frozen food.

Closing the door creates a vacuum. After closing, wait for around 1 minute, then the door will be easier to open.



#### CAUTION

Risk of injury due to broken glass!

Bottles and cans containing drinks may burst when being frozen. This applies particularly to sparkling drinks.

- ▶ Do not freeze bottles and cans containing drinks!

# Control

So that the food is rapidly frozen through to the core, do not exceed the following quantities per pack

- Fruit, vegetables up to 1 kg
- Meat up to 2.5 kg
- ▶ Pack the food in portions in freezer bags, reusable plastic, metal or aluminium containers

## 5.5.2 Storage life

Standard values for the storage life of various types of food in the freezer compartment:	
Ice-cream	2 to 6 months
Sausage, ham	2 to 6 months
Bread, bakery products	2 to 6 months
Game, pork	6 to 10 months
Fatty fish	2 to 6 months
Lean fish	6 to 12 months
Cheese	2 to 6 months
Poultry, beef	6 to 12 months
Vegetables, fruit	6 to 12 months

The values indicated for storage life are standard ones.

## 5.5.3 Thawing food

- in the refrigerator compartment
- in a microwave oven
- in a conventional or fan oven
- at room temperature
- ▶ Remove only as much food as is required. Use thawed food as quickly as possible.
- ▶ Food once thawed should be re-frozen only in exceptional cases.

## 5.5.4 Setting the temperature

The temperature depends on the following factors:

- the amount of times the door is opened
- how long the door is open for
- the room temperature of the installation site
- the type, temperature and amount of food

The temperature can be set from -26 °C to -16 °C.

Recommended temperature setting: -18 °C

- ▶ Press the freezer compartment field.
- ▷ The following screen is displayed:

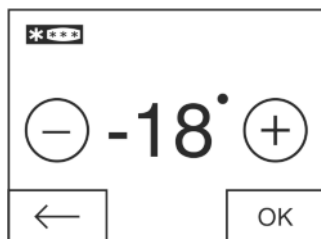


Fig. 67

Setting a higher temperature:

- ▶ Press plus.

Setting a lower temperature:

- ▶ Press minus.

The minus symbol is greyed out when the coldest temperature is selected.

The plus symbol is greyed out if it is pressed again after selecting the hottest temperature. The standby symbol is displayed on the screen.

- ▶ Confirm the required temperature with OK.
- ▷ The display switches to the home screen.

- ▷ The selected temperature is displayed.
- ▷ Up or down arrows indicate the change in temperature. The arrows are greyed out when the target temperature is reached.

## 5.5.5 SuperFrost

With this function you can freeze fresh food quickly through to the core. The appliance operates with maximum refrigeration. The noise of the refrigeration unit may be temporarily louder as a result.



You can freeze as many kilograms of fresh food within 24 hrs as is indicated on the type plate under "Freezing capacity ... kg/24hrs". This maximum freezing quantity can vary depending on model and climate class.

You have to activate SuperFrost in good time, depending on how much fresh food is to be frozen: about 6 hours before placing the food inside in case of small amounts and about 24 hours in advance in case of the maximum amount of food to be frozen.

Wrap produce and spread it out as far as possible. Do not allow produce to be frozen to touch produce that is already frozen to prevent the latter thawing.

You do not have to activate SuperFrost in the following cases:

- when placing frozen food in the freezer
- when freezing up to approx. 1 kg fresh food daily

### Switching SuperFrost on.

- ▶ Press menu.
- ▶ Press the navigation arrow until SuperFrost is displayed.
- ▶ Press ON.
- ▷ SuperFrost is switched on.
- ▷ The freezer temperature goes down and the appliance works at maximum cooling capacity.



If there is a small amount of frozen food:

- ▶ wait about 6 hours.
- ▶ Place packaged food in the top drawers. With the maximum amount of frozen food (see model plate):
- ▶ wait about 24 hours.
- ▶ Remove top drawers and place food directly on the upper shelves.
- ▷ SuperFrost switches itself off automatically after about 65 hours.
- ▷ The SuperFrost symbol is greyed out.
- ▶ Put the food in the drawers and close them again.
- ▷ The appliance works in normal mode again.

### Switching off SuperFrost

- ▶ Press menu.
- ▶ Press the navigation arrow until SuperFrost is displayed.
- ▶ Press OFF.
- ▷ SuperFrost is switched off.



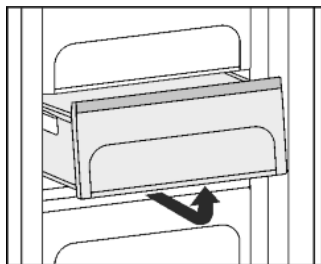
## 5.5.6 Drawers

### Note

The energy consumption increases and the cooling performance reduces if the air ventilation is insufficient.

- ▶ Ensure that the air slits of the fan on the rear wall are always kept free!



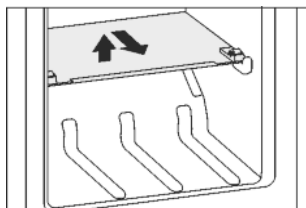


- ▶ To store frozen food directly on the shelves pull the drawer forward and lift it out.

### 5.5.7 Shelves

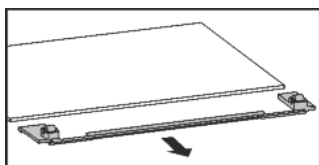
#### Moving shelves

- ▶ To remove the shelf: lift up at the front and pull out.
- ▶ To put the shelf back: simply push in as far as it will go.



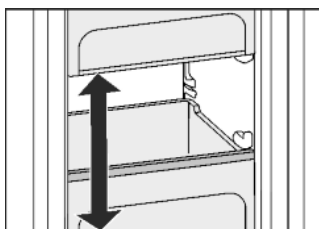
#### Removing shelves

- ▶ The shelves may be removed for cleaning.



### 5.5.8 VarioSpace

You can remove the shelves and drawers. This leaves more room for larger food items such as poultry, meat, large game and tall baked goods, which can be frozen whole before further preparation.



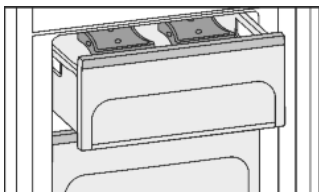
- ▶ Each drawer can hold max. 25 kg of frozen food.
- ▶ The shelves can each be loaded with 35 kg of frozen food.

### 5.5.9 Freezer pack

Freezer packs prevent the temperature rising too quickly should there be a power cut.

#### Using freezer packs

- ▶ Put the fully frozen freezer packs on the frozen food in the top front section of the freezer compartment.



### 5.5.10 IceMaker

The IceMaker is located in the top drawer of the freezer on the left-hand side.

Make certain that the following conditions are met:

- The appliance is level.
- The appliance is connected.
- The freezer compartment is switched on.
- The IceMaker is connected to the water supply.

#### Producing ice cubes

The production capacity depends on the freezer temperature. The lower the temperature, the more ice cubes can be produced in a specific period.

The ice cubes drop from the IceMaker into the drawer. When a certain filling level has been reached, no further ice cubes are produced. The IceMaker does not fill the drawer right up to the brim.

Distribute the ice cubes evenly in the drawer to increase the capacity.

If large quantities of ice cubes are needed, the complete IceMaker drawer can be exchanged for the adjacent drawer. When the drawer is closed, the IceMaker automatically recommences production.

Once the IceMaker has been switched on for the first time, it may take up to 24 hours until the first ice cubes are produced.

#### Note

When the appliance is used for the first time and if it has been out of use for a long time, particles may collect in the IceMaker and/or water conduit.

- ▶ Do not use or consume ice cubes that have been made 24 hours after the first ice cubes are made.

#### Switch the IceMaker on.

- ▶ Press Menu.
- ▶ Press the navigation arrows until the IceMaker is displayed.
- ▶ Press the IceMaker symbol.
- ▶ Press ON.
- ▷ The IceMaker is switched on.



#### Note

- ▶ The IceMaker only makes ice cubes when the drawer is completely closed.

#### Flushing

Flushing function to rinse out the water pipe when used for the first time.

#### Note

- The water pipe can only be rinsed out if the temperature is more than 0 °C.
- ▶ Only use the flushing option if the temperatures in the appliance are higher than 0 °C.

#### NOTICE

Blocked IceMaker and water outlet.

Risk of damage to the IceMaker and the drawer outlet.

- ▶ Put containers with a maximum height of 12 cm in the drawer under the IceMaker.

Ensure that the IceMaker drawer is empty.

- ▶ Put containers with a max. height of 12 cm in the drawer under the IceMaker.

- ▶ Press Menu.
- ▶ Press the navigation arrows until the IceMaker is displayed.
- ▶ Press the IceMaker symbol.
- ▶ Press the navigation arrows until flushing is displayed.



- ▶ Press ON.
- ▷ Water pipes are rinsed and at the same time the ice cube tray ice cube tray is turned back to the cleaning position.

- ▶ Do not operate the screen during this procedure. Flushing function terminated: The symbol appears.

- ▶ Press OK.

- ▶ Remove the drawer and the container.



# Maintenance

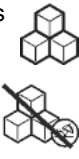

- ▶ Clean the drawer and, if necessary, remove excess water from the drawer.

## IceMaker holiday function

The IceMaker holiday function is suitable for short phases when no ice cubes are to be made, for example, when you are on holiday.

### Switching the IceMaker holiday function on.

The IceMaker drawer must be emptied and pushed in.

- ▶ Press menu.
  - ▶ Press the navigation arrows until the IceMaker is displayed.
  - ▶ Press the IceMaker symbol.
  - ▶ Press the navigation arrows until the IceMaker holiday function is displayed.
- 
- ▶ Press ON.
  - ▷ The ice cube tray moves to the cleaning position. The IceMaker switches to holiday function.
  - ▷ The IceMaker holiday function symbol appears in the menu area.
  - ▶ Remove the drawer.
  - ▶ Clean the ice cube tray and drawer with a soft cleaning cloth and warm water. If necessary use a mild detergent. Then rinse out.
  - ▶ Push the drawer in.
- 

### Switching the IceMaker holiday function off

#### NOTICE

Sickness caused by dirty ice compartment.


- ▶ After the IceMaker has been switched off for a long time, clean the ice cube tray.

#### NOTICE

Rinse agent residue in the ice compartment and drawer.

Nausea or irritation of the mucous membrane.


- ▶ Remove rinse agent residue: Discard the first three batches of ice cubes.

- ▶ Remove the drawer.
  - ▶ Clean the ice cube tray and drawer with a soft cleaning cloth and warm water. If necessary use a mild detergent. Then rinse out.
  - ▶ Push the drawer in.
  - ▶ Press Menu.
  - ▶ Press the navigation arrows until the IceMaker is displayed.
  - ▶ Press the IceMaker symbol.
  - ▶ Press OFF.
  - ▷ The ice cube tray moves to the operating position. The IceMaker switches on.
  - ▷ The IceMaker symbol appears in the menu field instead of the IceMaker holiday function symbol.
- 

### Switching off the IceMaker

If no ice cubes are required, the IceMaker can be switched off independently of the freezer compartment.

When the IceMaker is switched off, the drawer of the IceMaker can also be used for freezing and storing food.

- ▶ Cleaning the IceMaker (see 6.5 Cleaning the IceMaker) .
  - ▶ Press Menu.
  - ▶ Press the navigation arrows until the IceMaker is displayed.
  - ▶ Press the IceMaker symbol.
  - ▶ Press OFF.
  - ▷ The IceMaker is switched off.
  - ▶ If necessary, food can now be frozen in the drawer up to a maximum height of 12 cm.
- 

# 6 Maintenance

## 6.1 Change the FreshAir filter.

The FreshAir filter guarantees optimum air quality. It should be changed every 12 months. When the timer is set a message on the display prompts you to change it. The FreshAir filter can be ordered from the specialist dealer. Change FreshAir filter is displayed.

- ▶ Press the change FreshAir filter symbol
- ▷ The display switches to the home screen.



The message can be displayed again by pressing on the menu field until the filter has been changed and confirmed. (see 8 Messages) .

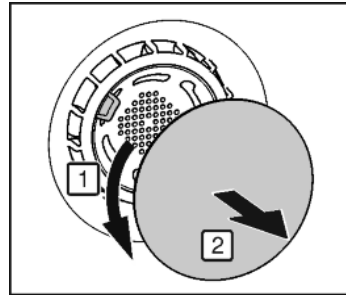


Fig. 68

- ▶ Remove cover.

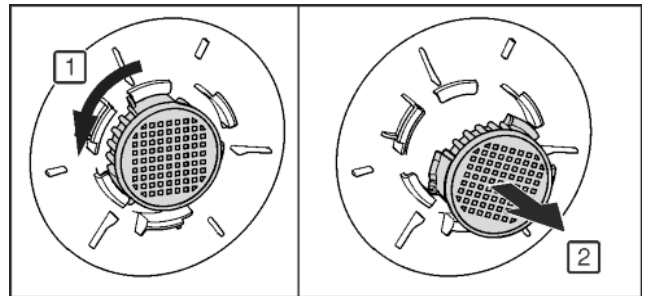





Fig. 69


- ▶ Remove the FreshAir filter.
- ▶ Insert the new filter in the reverse order.
- ▶ Ensure that the filter clicks into place.
- ▶ Replace the cover again.

### Confirming the filter change

- ▶ Press menu.
  - ▶ Press the navigation arrows until the FreshAir filter is displayed.
  - ▶ Press the FreshAir filter symbol.
  - ▶ Press the navigation arrows until change FreshAir filter is displayed.
  - ▶ Press RESET.
  - ▷ The timer is reset. The change interval starts all over again.
- 
- 
- 

### Turning the timer off

If a new FreshAir filter is not inserted the timer can be turned off

- ▶ Press menu.
  - ▶ Press the navigation arrows until the FreshAir filter is displayed.
  - ▶ Press the FreshAir filter symbol.
  - ▶ Press OFF.
  - ▷ The timer is turned off.
- 

## 6.2 Defrosting with NoFrost

The NoFrost system automatically defrosts the appliance.

### BioFresh compartment:

The defrost water evaporates due to the compressor heat.

### Freezer compartment:

The moisture condenses on the evaporator, is periodically defrosted and evaporates.

- ▶ The appliance does not have to be manually defrosted.

## 6.3 Cleaning the ventilation grid

The ventilation grid ensures that the appliance works properly due to optimum aeration and ventilation.

- ▶ Clean the ventilation grid regularly with a vacuum cleaner.
- ▶ Remove stubborn stains with a soft cloth.

When the timer is set a message on the display prompts you to clean it. The clean ventilation grid symbol appears on the screen.

- ▶ Press the clean ventilation grid symbol.
- ▷ The display switches to the home screen.



The message can be displayed again by pressing the menu field until it has been cleaned and this has been confirmed. (see 8 Messages) .

### Confirming that the ventilation grid has been cleaned

- ▶ Press menu.
- ▶ Press the navigation arrows until the ventilation grid is displayed.
- ▶ Press the ventilation grid symbol.
- ▶ Press the navigation arrows until clean ventilation grid is displayed.



- ▶ Press RESET.
- ▷ The timer is reset. The cleaning interval starts all over again.

### Turning the timer off

If the reminder function is to be switched off the timer can be turned off.

- ▶ Press menu.
- ▶ Press the navigation arrows until the ventilation grid is displayed.
- ▶ Press the ventilation grid symbol.
- ▶ Press OFF.
- ▷ The timer is turned off.



## 6.4 Cleaning the appliance

Clean the appliance regularly.



### WARNING

Risk of injury and damage as a result of hot steam! Hot steam can lead to burns and can damage the surfaces.

- ▶ Do not use any steam cleaners!

### NOTICE

Incorrect cleaning damages the appliance!

- ▶ Do not use cleaning agents in concentrated form.
- ▶ Do not use any scouring or abrasive sponges or steel wool.
- ▶ Do not use any sharp or abrasive cleaning agents, nor any that contain sand, chloride or acid.
- ▶ Do not use chemical solvents.
- ▶ Do not damage or remove the type plate on the inside of the appliance. It is important for the customer service.
- ▶ Do not pull off, bend or damage cables or other components.
- ▶ Do not allow any cleaning water to enter the drain channel, ventilation grille or electrical parts.
- ▶ Please use soft cleaning cloths and a universal pH-neutral cleaning agent.
- ▶ Please use cleaning and care products suitable for contact with foodstuffs in the appliance interior.

- ▶ **Empty appliance.**
- ▶ **Pull out the power plug.**



- ▶ Clean **plastic outer and inner surfaces** with lukewarm water and a little washing-up liquid.

### NOTICE

Risk of damage from stainless steel care products!

The **stainless steel doors** and **stainless steel side panels** are treated with a premium surface finish.



Stainless steel care products attack these surfaces.

- ▶ Only use a soft, clean cloth to wipe down **finished door and side panel surfaces** and **painted door and side panel surfaces**. To remove heavy dirt, use a little water or neutral detergent. Alternatively, you can use a micro-fibre cloth.

- ▶ Most of the **parts** can be dismantled for cleaning: see the relevant chapter.

- ▶ **Clean drawers** by hand with lukewarm water and a little washing up liquid.
- ▶ Clean the **Fruit & Vegetable safe cover** by hand using lukewarm water and a small amount of detergent.
- ▶ All the **other fittings** can be put in the dishwasher.
- ▶ Only use a damp cloth to clean the **telescopic rails**. The grease in the runners is for lubrication purposes and must not be removed.

### After cleaning:

- ▶ Wipe dry the appliance and items of equipment.
- ▶ Connect the appliance and switch it on again.
- ▶ Switch on SuperFrost (see 5.5.5 SuperFrost) .  
When the temperature is sufficiently cold:
- ▶ Put the food back inside.

## 6.5 Cleaning the IceMaker

The IceMaker drawer must be emptied and pushed in. The IceMaker must be switched on.

- ▶ Press Menu.
- ▶ Press the navigation arrows until the IceMaker is displayed.
- ▶ Press the IceMaker symbol.
- ▶ Press the navigation arrow until the cleaning position is displayed.



- ▶ Press ON.
- ▷ The ice cube tray moves to the cleaning position. The screen cannot be used during this process.
- ▷ OFF appears: The rotary movement stops and the IceMaker switches off for cleaning.



- ▶ Remove the drawer.
- ▶ Clean the ice cube tray and drawer with a soft cleaning cloth and warm water. If necessary use a mild detergent. Then rinse out.
- ▶ Push the drawer in.
- ▶ Press OFF.
- ▷ The ice cube tray moves to the operating position.

### NOTICE

Rinse agent residue in the ice compartment and drawer. Nausea or irritation of the mucous membrane.

- ▶ Remove rinse agent residue: Discard the first three batches of ice cubes.

- ▶ Leave the IceMaker switched on.

-or-

- ▶ Switch the IceMaker off (see 5 Control)

## 6.6 Customer service

First of all check whether you can eliminate the fault yourself. (see 7 Malfunctions) If you can't, contact Customer Services. You can find the address in the enclosed customer service list.



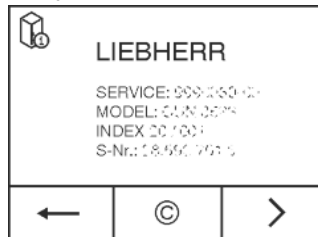
## WARNING

Risk of injury if repair work is not carried out professionally!

- ▶ Have any repairs and action - not expressly specified - on the appliance and mains cable carried out by service personnel only. (see 6 Maintenance)

**Call up the appliance name (model and index), service no. (service), serial no. (s-no.) as well as the expanded functions on the screen:**

- ▶ Press menu.
- ▶ Press the navigation arrows until the appliance information symbol is displayed.
- ▶ Press the appliance information symbol.
- ▷ The appliance information is displayed.
- ▶ Note down the appliance information.
- ▶ To return to the home screen press the Back symbol.



- ▶ To access the customer menu, press it until the key symbol appears.



- ▶ Enter the numerical code **151** to select the customer menu.

## Customer menu

The following functions can be called up in the customer menu:

- **Self diagnostics**  
The device carries out self diagnostics and checks all electrical components.
- **RESET**  
The appliance is reset to the factory settings.
- **Manual defrosting**  
Manual defrosting is started.
- **Water supply time**  
This function is active for appliances with an ice cube maker. The size of the ice cubes is determined by the water supply time.
- ▶ Close the door.
- ▶ Contact customer service and give them the required appliance information.
- ▷ This will help us to provide you with a faster, more accurate service.
- ▶ Follow any further instructions given by Customer Services.

**Alternatively you can read off the appliance information from the model plate:**

- ▶ Read off the appliance name *Fig. 70 (1)*, service no. *Fig. 70 (2)* and serial no. *Fig. 70 (3)* from the model plate. The model plate can be found on the inside of the appliance on the left.

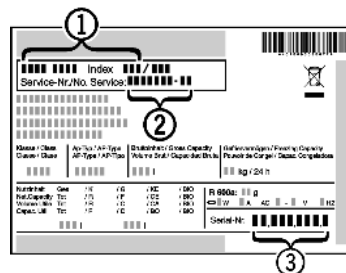


Fig. 70

## Licence agreements:

Licences used can be viewed at ©.

- ▶ Press ©.

## 7 Malfunions

Your appliance is designed and manufactured for a long life span and reliable operation. If a malfunction nonetheless occurs during operation, check whether it is due to a handling error. In this case you will have to be charged for the costs incurred, even during the warranty period. You may be able to rectify the following faults yourself:

### Appliance does not work.

- The appliance is not switched on.
- ▶ Switch on the appliance.
- The power plug is not properly inserted in the wall socket.
- ▶ Check power plug.
- The fuse of the wall socket is not in order.
- ▶ Check fuse.
- The appliance plug does not fit the appliance properly.
- ▶ Check the appliance plug.

### The compressor runs for a long time.

- The compressor switches to a low speed when little cold is needed. Although the running time is increased as a result, energy is saved.
- ▶ This is normal in energy-saving models.
- SuperFrost is activated.
- ▶ The compressor runs for longer in order to rapidly cool the food. This is normal.
- HydroCool is on.
- ▶ The compressor runs longer to cool the food quickly. This is normal.

### Excessive noise.

- Due to the various speed steps, speed-regulated\* compressors can generate different running noises.
- ▶ The sound is normal.

### A bubbling and gurgling noise.

- This noise comes from the refrigerant flowing in the refrigeration circuit.
- ▶ The sound is normal.

### A quiet clicking noise.

- The noise is produced whenever the refrigeration unit (motor) automatically switches on or off.
- ▶ The sound is normal.

### A hum. It is briefly a little louder when the refrigeration unit (the motor) switches on.

- The refrigeration increases automatically when the SuperFrost, function is activated, fresh food has just been placed in the appliance or the door has been left open for a while.
- ▶ The sound is normal.
- With HydroCool on, when you place food in the fridge or if the door is open for a prolonged period, cooling is automatically increased.
- ▶ This noise is normal.
- The ambient temperature is too high.
- ▶ Solution: (see 1.2 Appliance range of use)

### A low hum.

- The sound is produced by air flow noise of the fan.
- ▶ The sound is normal.

### Vibration noises

- The appliance is not standing firmly on the floor. As a result objects and adjacent units start to vibrate when the refrigerator is running.
- ▶ Align the appliance using the adjustable feet.
- ▶ Keep bottles and jars apart.

### Flow sound at the soft stop mechanism.

- The noise is produced when the door is opened and closed.
- ▶ The sound is normal.

**The DEMO symbol appears on the screen. In addition some time elapses.**

→ DEMO mode is activated.

▶ OFF Press .

**DEMO is displayed in the top right corner of the screen.**

→ DEMO mode is activated.

▶ Unplug the appliance.

▶ Plug the appliance in again.

▷ The DEMO symbol appears on the screen. In addition some time elapses.

▶ OFF Press .

**The outer surfaces of the appliance are warm\*.**

→ The heat of the refrigeration circuit is used to prevent condensate from forming.

▶ This is normal.

**The IceMaker cannot be switched on.**

→ The appliance and therefore the IceMaker are not connected.

▶ Connect the appliance to the mains (see 4 Putting into operation) .

**The IceMaker does not make any ice cubes.**

→ The IceMaker is not switched on.

▶ Switch on the IceMaker.

→ The drawer of the IceMaker is not properly closed.

▶ Close the drawer properly.

→ The water connection is not open.

▶ Open the water connection.

**Functions in the IceMaker submenu do not start.**

→ Ice cube tray rotates.

▶ Try again after 1 minute.

**The temperature is not cold enough.**

→ The door of the appliance is not properly closed.

▶ Close the door of the appliance.

→ Insufficient ventilation.

▶ Keep ventilation grille clear, and clean it.

→ The ambient temperature is too high.

▶ Solution: (see 1.2 Appliance range of use) .

→ The appliance was opened too frequently or for too long.

▶ Wait to see whether the appliance reaches the required temperature by itself. If not, please contact the after sales service (see 6 Maintenance) .

→ Too much fresh food was placed inside without SuperFrost.

▶ Solution: (see 5.5.5 SuperFrost)

→ The temperature is incorrectly set.

▶ Set the temperature to a colder setting and check after 24 hours.

→ The appliance is too close to a source of heat (stove, heater etc).

▶ Change the position of the appliance or the source of heat.

**The internal light does not come on.**

→ The appliance is not switched on.

▶ Switch the appliance on.

→ The door was open for longer than 15 minutes.

▶ The internal light switches itself off automatically after about 15 minutes if the door is open.

→ The LED illumination is faulty or the cover is damaged:



## WARNING

Risk of injury due to electric shock!

Live parts are located under the cover.

▶ Have the LED interior light changed or repaired only by the customer service or by specialized personnel trained for the purpose.



## WARNING

Danger of injury by LED lamp!

The light intensity of the LED lighting corresponds to risk group RG 2.

If the cover is defective:

▶ Do not look into the illumination with optical lenses from the immediate proximity. This can cause injury to the eyes.

**The door seal is defective or needs to be replaced for another reason.**

→ The door seal can be replaced. It can be replaced without the need for special tools.

▶ Contact Customer Service (see 6 Maintenance) :

**The unit has iced up or condensation has formed.**

→ The door seal may have also slipped out of its groove.

▶ Check to ensure that the door seal is seated properly in the groove.

## 8 Messages

Error messages and reminders are displayed by an audible signal and a message on the screen. The audible signal gets louder and louder when error messages appear. It only stops when the message is confirmed. Highest priority messages are displayed first if several occur at the same time. Each message must be cleared separately.



The message stays in the menu field as long as it is active or the fault is not eliminated.

### Note

Details on the message can be displayed again via the menu field.

▶ Press menu.

▶ Press the message symbol. 

▶ The display switches to the next message when you press one. After the last active message the display switches to the home screen.

### Door alarm

An audible warning sounds if the door is open for longer than 60 seconds. The door alarm symbol appears on the display. The audible warning stops automatically when the door is closed.



The audible warning can be switched off when the door is open. The audible alarm is switched off while the door is open.

▶ Press the door alarm symbol.

▷ The door alarm stops.

▷ The display switches to the home screen.

▶ Close the door.

### Temperature alarm

An audible signal sounds if the temperature is not cold enough. The temperature alarm symbol appears on the display.





The temperature had risen too high during the last few hours or days. When the fault is eliminated the appliance continues to work at the last temperature setting.

The reason for too high a temperature may be:

- hot, fresh food was inserted
- too much warm room air flowed in when rearranging and removing food
- the power was cut off for a while
- the appliance is faulty
- ▶ Open the door.
- ▶ Press the temperature alarm symbol.

# Decommissioning



- ▷ The audible signal stops. The warmest temperature reached during the malfunction is displayed on the screen.
- ▶ Press the screen or wait for 30 seconds.
- ▷ The display switches to the home screen. Arrows and the temperature alarm symbol appear in the relevant temperature field . In addition the messages symbol is displayed in the menu field .
- ▶ Check the food for quality. Do not consume spoiled food. Do not re-freeze defrosted food,
- ▶ Close the door.
- ▷ The symbols are greyed out when the target temperature is reached.

If the alarm status persists or the temperature cannot be reset independently:  
(see 7 Malfunctions) .

## Power cut

An audible warning sounds. The power cut symbol appears on the display.

The temperature had risen too high over the last few hours or days due to a power cut or power interruption. When the power is restored the appliance continues to work at the last temperature setting. Activated reminders are retained.

- ▶ Open the door.
- ▶ Press the power cut symbol.
- ▷ The audible signal stops. The warmest temperature reached in the freezer compartment during the power cut is displayed on the screen.
- ▶ Press the screen or wait for 30 seconds.
- ▷ The display switches to the home screen. Arrows and the symbol temperature alarm appear in the relevant temperature field . The messages symbol is also shown in the menu field .
- ▶ Check the food for quality. Do not consume spoiled food. Do not re-freeze defrosted food,
- ▶ Close the door.
- ▷ The symbols are greyed out when the target temperature is reached.

## Appliance faults

An audible warning sounds. The appliance fault symbol appears on the display with the relevant error code.



An appliance component indicates a fault.

- ▶ Open the door.
- ▶ Note down the fault code.
- ▶ Press the appliance fault symbol.
- ▷ The audible signal stops. The display switches to the home screen.
- ▶ Close the door.
- ▶ Contact Customer Services (see 6 Maintenance) .

If the fault related to a specific temperature zone, the appliance fault symbol is displayed instead of the temperature in the zone's temperature field.

## Water inlet fault

An audible warning sounds. The appliance fault symbol appears on the display with the WATER error code.



The water connection to the IceMaker is not open, the water feed is interrupted or the filter in the water inlet hose connection is blocked.

- ▶ Open the door.
- ▶ Press the appliance fault symbol.
- ▷ The audible signal stops. The display switches to the home screen. The IceMaker switches off.
- ▶ Close the door.

- ▶ Open the water connection.

-or-

- ▶ Check the water connection and the hoses (see 4 Putting into operation) .

-or-

- ▶ Clean the filter.

- ▶ Switch the IceMaker on (see 5.5.10.2 Switch the IceMaker on.) .

- ▶ Contact Customer Service if the message persists (see 6 Maintenance) .

## Other messages



FreshAirChange filter (see 6 Maintenance)



Clean the ventilation grille (see 6 Maintenance)



Open, close IceMaker drawer

# 9 Decommissioning

## 9.1 Switching the appliance off


### Note

If the appliance or the freezer or fridge compartment cannot be switched off the child safety device has been switched on.

- ▶ Switch the child safety device off (see 5.2.2 Switching the child safety device off) .

### 9.1.1 Switch off the appliance from the menu

The whole appliance is switched off. The screen goes black.

- ▶ Press menu.
- ▶ Press the navigation arrows until the standby symbol  is displayed.
- ▶ Press OK.
- ▷ The standby symbol flashes on the whole screen. The whole appliance is switched off.
- ▷ After 10 minutes the standby symbol goes out.

### 9.1.2 Switching the appliance off via the freezer compartment field.

The BioFresh compartment automatically switches off when the freezer compartment is turned off. The screen remains on.

- ▶ Press the freezer compartment field.
- ▶ Press plus.
- ▷ The plus symbol is greyed out if it is pressed again after selecting the hottest temperature. The standby symbol is displayed on the screen.
- ▶ Press OK.
- ▷ The standby symbol is displayed in all temperature fields.
- ▷ The freezer and BioFresh compartments are switched off.

### 9.1.3 Switch BioFresh section off

If necessary, the BioFresh compartment can be switched off separately.

- ▶ Press the Biofresh field.
- ▶ Press plus.
- ▷ The plus symbol is greyed out if it is pressed again after selecting the hottest temperature. The standby symbol is displayed on the screen.
- ▶ OK Press .
- ▷ The standby symbol appears in the Biofresh field.
- ▷ BioFresh section is switched off.

## 9.2 Taking the appliance out of service

- ▶ Empty the appliance.
- ▶ Put the IceMaker in the cleaning position (see 6 Maintenance).
- ▶ Switch off the appliance (see 9 Decommissioning).
- ▶ Remove mains connector.
- ▶ Remove appliance connector if required: Remove and move from left to right at the same time.
- ▶ Clean the appliance (see 6.4 Cleaning the appliance).
- ▶ Leave the door open to prevent odour.



## 10 Disposing of the appliance

The appliance contains some reusable materials and should be disposed of properly - not simply with unsorted household refuse. Appliances which are no longer needed must be disposed of in a professional and appropriate way, in accordance with the current local regulations and laws.



When disposing of the appliance, ensure that the refrigeration circuit is not damaged to prevent uncontrolled escape of the refrigerant it contains (data on type plate) and oil.

- ▶ Disable the appliance.
- ▶ Pull out the plug.
- ▶ Cut through the connecting cable.



**Liebherr-Hausgeräte Ochsenhausen GmbH**

Memminger Straße 77-79

88416 Ochsenhausen

Deutschland

[home.liebherr.com](http://home.liebherr.com)