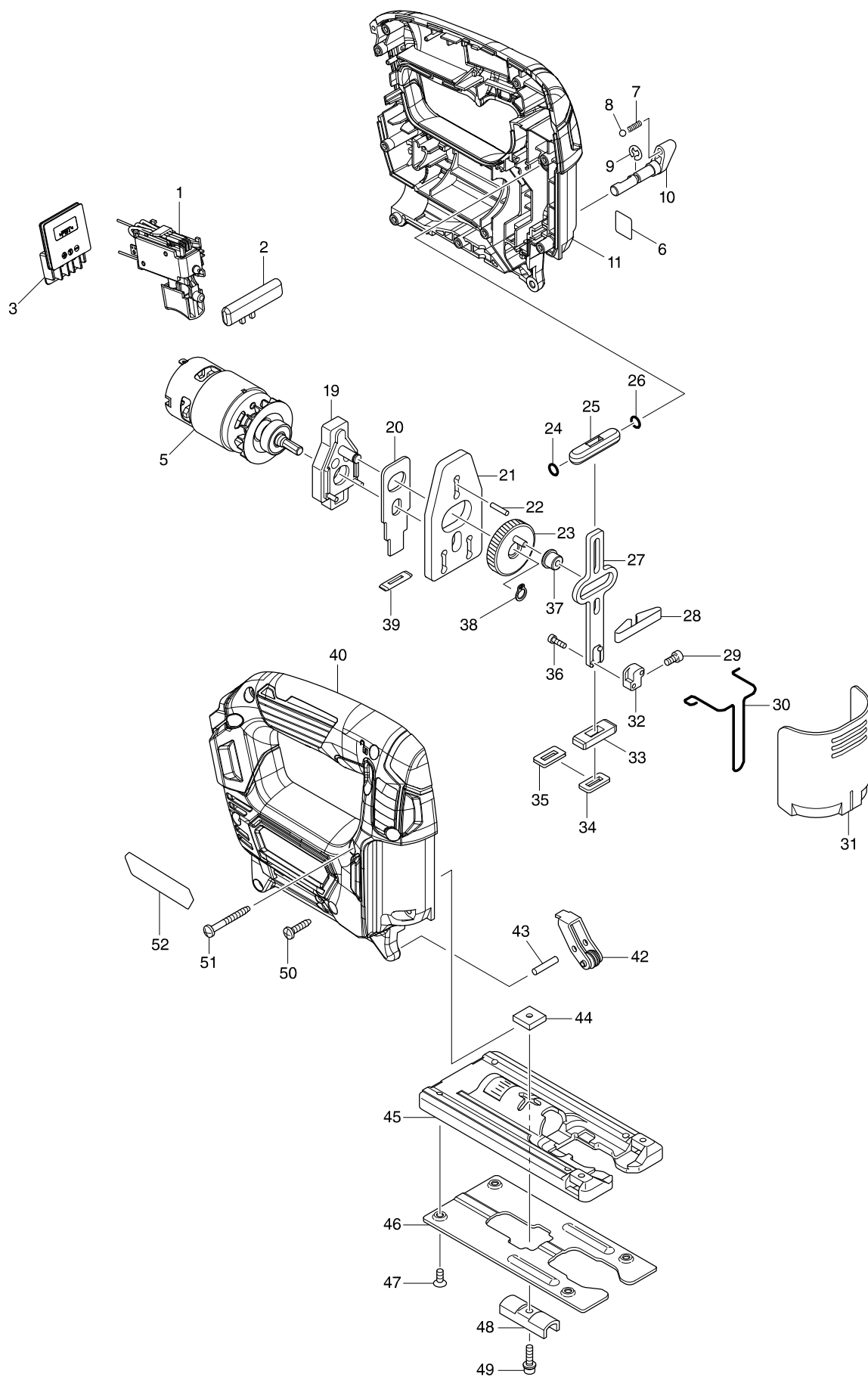


# model JV101D CORDLESS JIG SAW



# model JV101D CORDLESS JIG SAW

pagina 1 / 2

cod	cod piesa	descriere	inters	cantitate	N/O	optiunea 1	optiunea 2	nota
001	632G55-5	SWITCH UNIT		1				
002	454742-2	LOCK OFF BUTTON		1				
003	644813-5	TERMINAL		1				
005	629213-0	DC MOTOR		1				
007	233151-6	ARC DE COMPRESIE 4		1				
008	216008-6	BILA OTEL 4MM		1				
009	961011-9	INEL BLOCARE E-4		1				
010	272267-2	BILA OTEL 4 MT431		1				
011	183E13-7	HOUSING SET		1				
C10	263002-9	STIFT CAUCIUC 4		2				
D10		INC. 40						
019	152600-3	ANS. CARCASA RULMENT 4323		1				
020	344683-9	PLACA DE PRESIUNE II 4322		1				
021	344614-8	PLACA ECHILIBRARE4322-4324		1				
022	256254-9	STIFT 3 4322/24		1				
023	153260-4	ANS. ANGRENAJ 4324		1				
024	213038-8	O RING 5		1				
025	313082-6	GHIDAJ GLISOR 4322/4324		1				
026	213038-8	O RING 5		1				
027	344613-0	GLISOR 4322/23/24		1				
028	232183-0	ARC LAMELAR 4324		1				
029	922107-1	SURUB INBUS M4		1				
030	323748-0	SIGURANTA 4322/23/24		1				
031	416476-5	CAPAC DE PRAF 4322/23/24		1				
032	313140-8	FIXATOR DE LAMA 4326-4329		1				
033	313086-8	SUPORT GLISOR 4324		1				
034	423307-1	GARNITURA DE BURETE 4322/4323		1				
035	344686-3	PLACA DE ETANSARE 4324		1				
036	266177-3	SURUB INBUS M3X10		2				
037	257683-9	BUCSA 4322/4323/4324		1				
038	961002-0	SAIBA DE SIGURANTA S-6		1				
039	416703-0	GARNITURA PRAF JV0600		1				
040	183E13-7	HOUSING SET		1				
C10	263002-9	STIFT CAUCIUC 4		2				
D10		INC. 11						
042	158392-2	FIXATOR COMPLET 4328/4329		1				
043	256117-9	STIFT 4		1				
044	343540-8	FIXATOR 4320-4324		1				
045	317796-9	TALPA 4329		1				
046	345441-6	PLACA PROTECTIE 4329		1				
047	912107-9	SURUB M4X8		4				
048	344685-5	CLEMA DE PRINDERE 4324		1	*			
048-1	344685-5	CLEMA DE PRINDERE 4324	O	1				
049	922128-3	SURUB INBUS M4X16		1				
050	266326-2	SURUB AUTOFILETANT 4X18		9				
051	266351-3	SURUB 4X35 JV100D		1				
052	852E10-1	JV101D NAME PLATE		1				
A01	A-85628	LAMA FIERASTRAU B10 /SET 5BC 76M		1				

